

# NEBRASKA OECD TRACTOR TEST 1753 - SUMMARY 271

## WHITE 8410 DIESEL

## ALSO AGCO RT145 DIESEL

## 18 SPEED

### POWER TAKE-OFF PERFORMANCE

Power HP (kW)	Crank shaft speed rpm	Gal/hr (l/h)	lb/hp.hr (kg/kW.h)	Hp.hr/gal (kW.h/l)	Mean Atmospheric Conditions
<b>MAXIMUM POWER AND FUEL CONSUMPTION</b>					
<b>Rated Engine Speed (PTO speed 1052 rpm)</b>					
146.21 (109.03)	2200	8.63 (32.67)	0.418 (0.254)	16.95 (3.34)	
<b>Standard Power Take-off Speed (1000 rpm)</b>					
153.34 (114.35)	2091	8.75 (33.12)	0.404 (0.246)	17.52 (3.45)	
<b>Maximum Power (2 Hours)</b>					
155.91 (116.26)	1900	8.57 (32.44)	0.389 (0.237)	18.19 (3.58)	

### VARYING POWER AND FUEL CONSUMPTION

146.21 (109.03)	2200	8.63 (32.67)	0.418 (0.254)	16.95 (3.34)	Air temperature
127.26 (94.90)	2255	7.84 (29.66)	0.436 (0.265)	16.24 (3.20)	75°F (24°C)
97.48 (72.69)	2301	6.52 (24.70)	0.474 (0.288)	14.94 (2.94)	Relative humidity
66.04 (49.25)	2343	5.17 (19.56)	0.554 (0.337)	12.78 (2.52)	44%
33.74 (25.16)	2381	3.86 (14.60)	0.809 (0.492)	8.75 (1.72)	Barometer
0.57 (0.43)	2428	2.50 (9.46)	30.796 (18.733)	0.23 (0.05)	29.19" Hg (98.85 kPa)

Maximum Torque - 478 lb.-ft. (649 Nm) at 1549 rpm

Maximum Torque Rise - 37.3%

Torque rise at 1796 engine rpm - 28%

### DRAWBAR PERFORMANCE UNBALLASTED - FRONT DRIVE ENGAGED FUEL CONSUMPTION CHARACTERISTICS

Power Hp (kW)	Drawbar pull lbs (kN)	Speed mph (km/h)	Crank- shaft speed rpm	Slip %	Fuel Consumption lb/hp.hr (kg/kW.h)	Hp.hr/gal (kW.h/l)	Temp. °F (°C) cool- ing med	Air dry bulb	Barom. inch Hg (kPa)
<b>Maximum Power 10th Gear</b>									
127.52 (95.09)	8212 (36.53)	5.82 (9.37)	2197	4.10	0.477 (0.290)	14.83 (2.92)	182 (83)	67 (19)	29.02 (98.27)
<b>75% of Pull at Maximum Power 10th Gear</b>									
100.05 (74.61)	6147 (27.34)	6.10 (9.82)	2275	2.99	0.508 (0.309)	13.95 (2.75)	181 (83)	72 (22)	28.98 (98.14)
<b>50% of Pull at Maximum Power 10th Gear</b>									
68.95 (51.42)	4106 (18.26)	6.30 (10.14)	2323	1.92	0.588 (0.358)	12.04 (2.37)	180 (82)	72 (22)	28.98 (98.14)
<b>75% of Pull at Reduced Engine Speed 12th Gear</b>									
100.06 (74.61)	6170 (22.44)	6.08 (9.79)	1757	2.99	0.462 (0.281)	15.35 (3.02)	178 (81)	72 (22)	28.98 (98.14)
<b>50% of Pull at Reduced Engine Speed 12th Gear</b>									
68.88 (51.36)	4110 (18.28)	6.29 (10.11)	1798	2.01	0.514 (0.312)	13.79 (2.72)	176 (80)	72 (22)	28.98 (98.14)

**Location of Test:** Nebraska Tractor Test Laboratory, University of Nebraska, Lincoln Nebraska 68583-0832

**Dates of Test:** September 22 - October 8, 1998

**Manufacturer:** AGCO Corporation, 4205 River Green Parkway, Duluth, Georgia, 30096 USA.

**FUEL, OIL and TIME:** Fuel No. 2 Diesel Specific gravity converted to 60°/60° F (15°/15°C) 0.8506 Fuel weight 7.082 lbs/gal (0.849 kg/l) Oil SAE 15W40 API service classification CE/CF-4 /CD-II Transmission and hydraulic lubricant AGCO Power Fluid 821 XL fluid Front axle lubricant AGCO Gear Lube 715 SAE 80W90 Total time engine was operated 33.0 hours

**ENGINE: Make** Cummins Diesel **Type** six cylinder vertical with turbocharger and intercooler **Serial No.** 21317928 **Crankshaft** lengthwise **Rated engine speed** 2200 **Bore and stroke** 4.016" x 4.72" (102.0 mm x 120.0 mm) **Compression ratio** 17.4 to 1 **Displacement** 359 cu in (5880 ml) **Starting system** 12 volt **Lubrication** pressure **Air cleaner** two paper elements and aspirator **Oil filter** one full flow cartridge **Oil cooler** engine coolant heat exchanger for crankcase oil, radiator for hydraulic and final drive oil, radiator for transmission oil **Fuel filter** two paper elements and water separator **Muffler** vertical **Cooling medium temperature control** one thermostat and variable speed fan

**ENGINE OPERATING PARAMETERS: Fuel rate:** 61.1 - 67.5 lb/h (27.7 - 30.6 kg/h) **High idle:** 2350-2450 rpm **Turbo boost:** nominal 19.0 - 22.0 psi (131 - 152 kPa) as measured 21.2 psi (146 kPa)

**CHASSIS: Type** front wheel assist **Serial No.** G 181008 **Tread width** rear 62.1" (1577 mm) to 107.6" (2734 mm) front 60.3" (1532 mm) to 88.3" (2244 mm) **Wheelbase** 108.3" (2750 mm) **Hydraulic control system** direct engine drive **Transmission** selective gear fixed ratio with full range operator controlled powershift **Nominal travel speeds mph (km/h)** first 1.44 (2.31) second 1.86 (3.00) third 2.40 (3.86) fourth 2.73 (4.39) fifth 3.10 (4.99) sixth 3.53 (5.68) seventh 3.99 (6.42) eighth 4.55 (7.32) ninth 5.16 (8.30) tenth 5.88 (9.47) eleventh 6.67 (10.73) twelfth 7.60 (12.23) thirteenth 8.60 (13.84) fourteenth 9.82 (15.80) fifteenth 11.10 (17.86) sixteenth 14.37 (23.13) seventeenth 18.54 (29.84) eighteenth 23.97 (38.57) reverse 1.44 (2.32), 2.40 (3.86), 2.74 (4.40), 3.98 (6.41), 4.55 (7.33), 6.66 (10.72) **Clutch** multiple wet disc electro-hydraulically operated by foot pedal **Brakes** wet multiple disc hydraulically actuated by two foot pedals which can be locked together **Steering** hydrostatic **Power take-off** 540 rpm at 1993 engine rpm or 1000 rpm at 2091 engine rpm **Unladen tractor mass** 16715 lb (7582 kg)

## DRAWBAR PERFORMANCE

### UNBALLASTED - FRONT DRIVE ENGAGED MAXIMUM POWER IN SELECTED GEARS

Power Hp (kW)	Drawbar pull lbs (kN)	Speed mph (km/h)	Crank- shaft speed rpm	Slip %	Fuel lb/lp.hr (kg/kW.h)	Consumption Hp.hr/gal (kW.h/l)	Temp. <sup>o</sup> F(°C) cool- ing med	Air dry bulb	Barom. inch Hg (kPa)
5th Gear									
111.07 (82.83)	15069 (67.03)	2.76 (4.45)	2228	14.82	0.535 (0.325)	13.24 (2.61)	179 (82)	61 (16)	29.07 (98.44)
6th Gear									
122.87 (91.63)	14283 (63.53)	3.23 (5.19)	2200	11.47	0.499 (0.304)	14.19 (2.80)	182 (83)	63 (17)	29.06 (98.41)
7th Gear									
128.63 (95.92)	13886 (61.77)	3.47 (5.59)	2069	10.75	0.486 (0.296)	14.56 (2.87)	184 (84)	64 (18)	29.05 (98.37)
8th Gear									
133.22 (99.34)	13765 (61.23)	3.63 (5.84)	1899	10.67	0.470 (0.286)	15.06 (2.97)	184 (84)	64 (18)	29.04 (98.34)
9th Gear									
137.33 (102.41)	12043 (53.57)	4.28 (6.88)	1900	7.22	0.455 (0.277)	15.55 (3.06)	183 (84)	65 (18)	29.03 (98.31)
10th Gear									
139.28 (103.86)	10555 (46.95)	4.95 (7.96)	1900	5.77	0.448 (0.273)	15.80 (3.11)	181 (83)	66 (19)	29.02 (98.27)
11th Gear									
138.31 (103.14)	9148 (40.69)	5.67 (9.12)	1901	4.60	0.450 (0.274)	15.73 (3.10)	184 (84)	66 (19)	29.02 (98.27)
12th Gear									
139.90 (104.32)	8068 (35.89)	6.50 (10.47)	1899	4.01	0.447 (0.272)	15.85 (3.12)	183 (84)	68 (20)	29.01 (98.24)
13th Gear									
139.41 (103.96)	7064 (31.42)	7.40 (11.91)	1895	3.41	0.449 (0.273)	15.79 (3.11)	183 (84)	68 (20)	29.01 (98.24)
14th Gear									
137.23 (102.34)	6063 (26.97)	8.49 (13.66)	1897	2.89	0.454 (0.276)	15.60 (3.07)	186 (86)	68 (20)	29.01 (98.24)

**REPAIRS AND ADJUSTMENTS:** No repairs or adjustments.

**REMARKS:** All test results were determined from observed data obtained in accordance with official OECD, SAE and Nebraska test procedures. For the maximum power tests, the fuel temperature at the injection pump return was maintained at 150°F (65°C). The pull in 4th gear (ballasted tractor) was limited to avoid excessive tractor bouncing. The performance figures on this Summary were taken from a test conducted under the OECD Code II test procedure.

**Report reissued:** Supplemental sales permit for AGCO RT145 Diesel, October, 2001.

We, the undersigned, certify that this is a true and correct report of official Tractor Test No. **1753**, Nebraska Summary 271, November 1, 2001.

Brent T. Sampson  
Test Engineer

L.L. Bashford  
M.F. Kocher  
V.I. Adamchuk  
Board of Tractor Test Engineers

TRACTOR SOUND LEVEL WITH CAB	Front Wheel Drive	
	Engaged dB(A)	Disengaged dB(A)
At 75% load in 8th gear	76.1	76.9
Bystander	--	--

### TIRES, BALLAST AND WEIGHT

	With Ballast	Without Ballast
<b>Rear tires</b> - No., size, ply & psi (kPa)	Four 18.4R42; ***, 12 (85)	Two 18.4R42; ***, 20 (140)
Ballast - Duals (total)	1720 lb (780 kg)	None
- Test equip. (total)	180 lb (82 kg)	None
<b>Front tires</b> - No., size, ply & psi (kPa)	Two 14.9R30; ***, 22 (150)	Two 14.9R30; ***, 22 (150)
Ballast - Liquid (total)	None	None
- Cast Iron (total)	70 lb (32 kg)	None
<b>Height of Drawbar</b>	20.0 in (510 mm)	19.5 in (495 mm)
<b>Static Weight with operator</b> - Rear	12710 lb (5765 kg)	10810 lb (4903 kg)
- Front	6150 lb (2790 kg)	6080 lb (2758 kg)
- Total	18860 lb (8555 kg)	16890 lb (7661 kg)

**DRAWBAR PERFORMANCE**  
**BALLASTED - FRONT DRIVE DISENGAGED**  
**FUEL CONSUMPTION CHARACTERISTICS**

Power Hp (kW)	Drawbar pull lbs (kN)	Speed mph (km/h)	Crank- shaft speed rpm	Slip %	Fuel Consumption lb/hp.hr (kg/kW.h)	Fuel Consumption Hp.hr/gal (kW.h/l)	Temp.°F (°C) cool- ing med	Air dry bulb	Barom. inch Hg (kPa)
<b>Maximum Power 10th Gear</b>									
127.29 (94.92)	8261 (36.75)	5.78 (9.30)	2197	3.85	0.475 (0.289)	14.92 (2.94)	182 (83)	58 (14)	28.68 (97.12)
<b>75% of Pull at Maximum Power 10th Gear</b>									
99.72 (74.36)	6197 (27.57)	6.03 (9.71)	2274	3.08	0.508 (0.309)	13.94 (2.75)	181 (83)	64 (18)	28.72 (97.26)
<b>50% of Pull at Maximum Power 10th Gear</b>									
68.41 (51.01)	4127 (18.36)	6.22 (10.01)	2325	2.22	0.595 (0.362)	11.90 (2.34)	180 (82)	64 (18)	28.72 (97.26)
<b>75% of Pull at Reduced Engine Speed 12th Gear</b>									
99.53 (74.22)	6215 (27.64)	6.01 (9.67)	1754	3.00	0.465 (0.283)	15.22 (3.00)	177 (80)	64 (18)	28.72 (97.26)
<b>50% of Pull at Reduced Engine Speed 12th Gear</b>									
68.45 (51.04)	4133 (18.38)	6.21 (10.00)	1800	2.39	0.513 (0.312)	13.81 (2.72)	177 (81)	64 (18)	28.72 (97.26)
<b>MAXIMUM POWER IN SELECTED GEARS</b>									
5th Gear									
110.92 (82.71)	15213 (67.67)	2.73 (4.40)	2223	14.73	0.532 (0.324)	13.30 (2.62)	180 (82)	51 (11)	28.67 (97.09)
6th Gear									
125.26 (93.41)	14499 (64.49)	3.24 (5.21)	2185	9.81	0.488 (0.297)	14.53 (2.86)	181 (83)	52 (11)	28.68 (97.12)
7th Gear									
130.06 (96.98)	14038 (62.44)	3.47 (5.59)	2041	8.52	0.471 (0.287)	15.03 (2.96)	183 (84)	52 (11)	28.68 (97.12)
8th Gear									
134.48 (100.28)	13648 (60.71)	3.69 (5.95)	1900	8.30	0.456 (0.277)	15.55 (3.06)	185 (85)	57 (14)	28.68 (97.12)
9th Gear									
136.46 (101.76)	11973 (53.26)	4.27 (6.88)	1895	6.16	0.448 (0.273)	15.80 (3.11)	184 (84)	58 (14)	28.68 (97.12)
10th Gear									
139.37 (103.93)	10609 (47.19)	4.93 (7.93)	1897	5.02	0.444 (0.270)	15.94 (3.14)	183 (84)	60 (16)	28.69 (97.16)
11th Gear									
137.23 (102.33)	9156 (40.73)	5.62 (9.05)	1897	4.52	0.450 (0.274)	15.74 (3.10)	184 (84)	61 (16)	28.68 (97.12)
12th Gear									
138.93 (103.60)	8077 (35.93)	6.45 (10.38)	1900	3.85	0.444 (0.270)	15.96 (3.14)	184 (84)	61 (16)	28.68 (97.12)
13th Gear									
138.00 (102.91)	7048 (31.35)	7.34 (11.82)	1899	3.34	0.450 (0.273)	15.75 (3.10)	184 (84)	61 (16)	28.69 (97.16)
14th Gear									
133.74 (99.73)	5966 (26.54)	8.41 (13.53)	1898	2.83	0.458 (0.279)	15.46 (3.05)	184 (84)	63 (17)	28.71 (97.22)

**DRAWBAR PERFORMANCE**  
**BALLASTED - FRONT DRIVE ENGAGED**  
**MAXIMUM POWER IN SELECTED GEARS**

Power Hp (kW)	Drawbar pull lbs (kN)	Speed mph (km/h)	Crank- shaft speed rpm	Slip %	Fuel Consumption lb/lp.hr (kg/kW.h)	Consumption Hp.hr/gal (kW.h/l)	Temp. °F(°C) cool- ing med	Air dry bulb	Barom. inch Hg (kPa)
4th Gear									
121.47 (90.58)	18036 (80.23)	2.53 (4.06)	2205	10.19	0.498 (0.303)	14.21 (2.80)	179 (82)	51 (11)	28.66 (97.05)
5th Gear									
126.22 (94.12)	16898 (75.17)	2.80 (4.51)	2126	9.14	0.485 (0.295)	14.60 (2.88)	182 (83)	55 (13)	28.68 (97.12)
6th Gear									
131.66 (98.18)	16625 (73.95)	2.97 (4.78)	1963	8.37	0.461 (0.280)	15.37 (3.03)	184 (84)	54 (12)	28.68 (97.12)
7th Gear									
137.21 (102.32)	15572 (69.27)	3.30 (5.32)	1900	7.12	0.449 (0.273)	15.78 (3.11)	185 (85)	53 (12)	28.68 (97.12)
8th Gear									
137.83 (102.78)	13521 (60.14)	3.82 (6.15)	1903	5.65	0.447 (0.272)	15.86 (3.12)	185 (85)	56 (13)	28.68 (97.12)
9th Gear									
138.37 (103.18)	11866 (52.78)	4.37 (7.04)	1902	4.69	0.442 (0.269)	16.02 (3.15)	183 (84)	57 (14)	28.68 (97.12)
10th Gear									
140.03 (104.42)	10487 (46.65)	5.01 (8.06)	1899	4.09	0.442 (0.269)	16.03 (3.16)	183 (84)	59 (15)	28.68 (97.12)
11th Gear									
137.58 (102.59)	9060 (40.30)	5.69 (9.16)	1897	3.75	0.448 (0.273)	15.81 (3.11)	183 (84)	60 (16)	28.69 (97.16)
12th Gear									
138.89 (103.57)	7993 (35.55)	6.52 (10.49)	1897	3.24	0.441 (0.268)	16.06 (3.16)	183 (84)	61 (16)	28.68 (97.12)
13th Gear									
137.79 (102.75)	6966 (30.99)	7.42 (11.94)	1898	2.89	0.449 (0.273)	15.77 (3.11)	184 (84)	61 (16)	28.69 (97.16)
14th Gear									
132.30 (98.66)	5826 (25.91)	8.52 (13.71)	1904	2.45	0.462 (0.281)	15.32 (3.02)	184 (84)	63 (17)	28.70 (97.19)

### THREE POINT HITCH PERFORMANCE (OECD Static Test)

CATEGORY: III

Quick Attach: None

Maximum Force Exerted

Through Whole Range: 14760 lbs (65.7 kN)

- i) Opening pressure of relief valve: NA
- Sustained pressure of the open relief valve: 2880 psi (199 bar)
- ii) Pump delivery rate at minimum pressure and rated engine speed: 30.2 GPM (114.3 l/min)
- iii) Pump delivery rate at maximum hydraulic power: 26.1 GPM (98.8 l/min)
- Delivery pressure: 2650 psi (183 bar)
- Power: 40.4 HP (30.1 kW)

### THREE POINT HITCH PERFORMANCE

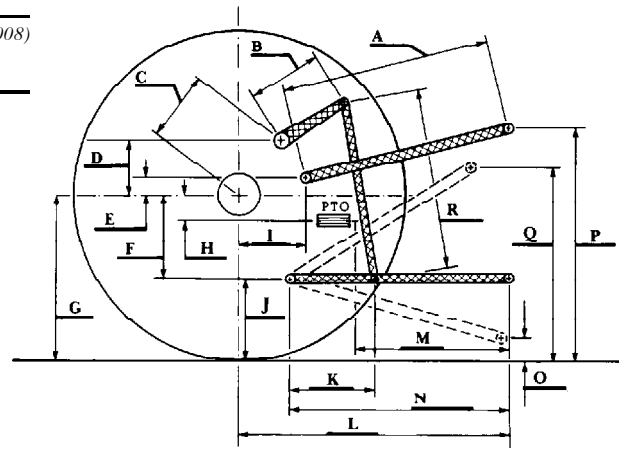
Observed Maximum Pressure psi. (bar) 2990 (206)  
 Location: lift cylinder  
 Hydraulic oil temperature: °F (°C) 148 (64)  
 Location: hydraulic sump  
 Category: III  
 Quick attach: None

**SAE Static Test** System pressure 2690 psi (186 Bar)

Hitch point distance to ground level in. (mm)	10.0 (254)	16.0 (406)	24.0 (610)	32.0 (813)	39.7 (1008)
Lift force on frame lb	19665	18945	18621	18135	17379
" " " " " " (kN)	(87.5)	(84.3)	(82.8)	(80.7)	(77.3)

### HITCH DIMENSIONS AS TESTED - NO LOAD

	SAE TEST		OECD TEST	
	inch	mm	inch	mm
A	30.7	781	30.7	781
B	15.2	385	15.2	385
C	20.7	527	20.7	527
D	17.9	455	17.9	455
E	10.8	275	10.8	275
F	12.6	320	12.6	320
G	34.3	870	34.3	870
H	1.5	39	1.5	39
I	17.7	450	17.7	450
J	21.7	550	21.7	550
K	21.6	548	21.6	548
L	49.0	1245	49.0	1245
M	24.8	629	24.8	629
N	39.0	991	39.0	991
O	10.0	254	10.0	254
P	43.7	1110	48.6	1235
Q	39.1	994	39.1	994
R	33.5	851	33.5	851



White 8410 Diesel

Agricultural Research Division  
 Institute of Agriculture and Natural Resources  
 University of Nebraska Lincoln  
 Darrell Nelson, Dean and Director