

NEBRASKA TRACTOR TEST 1863 MASSEY FERGUSON 451 DIESEL 8 SPEED

POWER TAKE-OFF PERFORMANCE

Power HP (kW)	Crank shaft speed rpm	Gal/hr (l/h)	lb/hp.hr (kg/kW.h)	Hp.hr/gal (kW.h/l)	Mean Atmospheric Conditions
---------------------	--------------------------------	-----------------	-----------------------	-----------------------	--------------------------------

MAXIMUM POWER AND FUEL CONSUMPTION

Rated Engine Speed—(PTO speed—623 rpm)					
47.74 (35.60)	2200	3.05 (11.55)	0.451 (0.274)	15.64 (3.08)	
Standard Power Take-off Speed - (540 rpm)					
46.57 (34.72)	1909	2.80 (10.60)	0.424 (0.258)	16.62 (3.28)	

VARYING POWER AND FUEL CONSUMPTION

47.74 (35.60)	2200	3.05 (11.55)	0.451 (0.274)	15.64 (3.08)	Air temperature
42.71 (31.85)	2315	2.88 (10.90)	0.475 (0.289)	14.84 (2.92)	77°F (25°C)
32.41 (24.17)	2338	2.34 (8.86)	0.509 (0.310)	13.85 (2.73)	Relative humidity
21.56 (16.08)	2354	1.89 (7.14)	0.617 (0.375)	11.43 (2.25)	48%
10.78 (8.04)	2368	1.40 (5.31)	0.918 (0.559)	7.68 (1.51)	Barometer
0.96 (0.72)	2379	1.04 (3.92)	7.596 (4.620)	0.93 (0.18)	28.79"Hg (97.49 kPa)

Maximum Torque 148 lb.-ft. (201 Nm) at 1252 rpm
 Maximum Torque Rise - 30.1%
 Torque rise at 1801 rpm - 16%

TRACTOR SOUND LEVEL WITHOUT CAB	Front wheel drive	
At no load in 3rd(3L) gear	Engaged dB(A)	Disengaged dB(A)
Bystander	94.6	94.6

TIRES AND WEIGHT

Rear Tires—No., size, ply & psi (kPa)
Front Tires—No., size, ply & psi (kPa)
Height of Drawbar
Static Weight with operator—Rear
 —Front
 —Total

Tested Without Ballast

Two 14.9-24; 6; 16 (110)
 Two 12.5/80-18; 10; 16 (110)
 12.5 in (315 mm)
 3180 lb (1442 kg)
 2400 lb (1089 kg)
 5580 lb (2531 kg)

Location of tests: Nebraska Tractor Test Laboratory, University of Nebraska, Lincoln Nebraska 68583-0832

Dates of tests: November 2-3, 2005

Manufacturer: AGCO Corporation, 4205 River Green Parkway, Duluth, Georgia 30096

FUEL, OIL and TIME: Fuel No. 2 Diesel Specific gravity converted to 60°/60° F (15°/15°C) 0.8468 Fuel weight 7.051 lbs/gal (0.845 kg/l) Oil SAE 15W40 API service classification CF-4 Transmission and hydraulic lubricant AGCO Power Fluid 821 XL fluid Total time engine was operated 6.0 hours

ENGINE: Make Perkins Diesel Type three cylinder vertical Serial No. DC38027*U007845L* Crankshaft lengthwise Rated engine speed 2200 Bore and stroke 4.134" x 5.00" (105.0 mm x 127.0 mm) Compression ratio 19.2 to 1 Displacement 201 cu in (3300 ml) Starting system 12 volt Lubrication pressure Air cleaner two paper elements Oil filter one full flow cartridge Fuel filter one paper element and water separator Muffler vertical Cooling medium temperature control one thermostat

ENGINE OPERATING PARAMETERS: Fuel rate: 20.6 - 22.4 lb/h (9.3 - 10.2 kg/h) High idle: 2300 - 2400 rpm

CHASSIS: Type Front wheel assist Serial No. 9362BP05061 Tread width rear 57.1" (1450 mm) to 72.0" (1875 mm) front 48.8" (1240 mm) to 59.0" (1500 mm) Wheelbase 78.7" (2000 mm) Hydraulic control system direct engine drive Transmission selective gear fixed ratio Nominal travel speeds mph (km/h) first 1.31 (2.11) second 1.91 (3.08) third 3.47 (5.59) fourth 4.28 (6.88) fifth 5.18 (8.34) sixth 7.64 (12.30) seventh 13.98 (22.50) eighth 17.13 (27.57) reverse 1.76 (2.83), 7.10 (11.43) Clutch single dry disc operated by foot pedal Brakes multiple wet disc operated by two foot pedals which can be locked together Steering hydrostatic Power take-off 540 rpm at 1908 engine rpm Unladen tractor mass 5405 lb (2452 kg)

THREE POINT HITCH PERFORMANCE (OECD Static Test)

CATEGORY: I

Quick Attach: None

Maximum Force Exerted Through Whole Range: 2786 lbs (12.4 kN)

i) Opening pressure of relief valve: NA

Auxiliary pump

Sustained pressure of the open relief valve: 2632 psi (182 bar)

ii) Pump delivery rate at minimum pressure and rated engine speed: 10.3 GPM (39.0 l/min)

iii) Pump delivery rate at maximum hydraulic power: 9.9 GPM (37.5 l/min)

Delivery pressure: 1902 psi (131 bar)

Power: 11.0 HP (8.2 kW)

THREE POINT HITCH PERFORMANCE

Observed Maximum Pressure psi. (bar)	2220 (153)
Location:	hydraulic manifold
Hydraulic oil temperature: °F (°C)	149 (65)
Location:	hydraulic sump
Category:	I
Quick attach:	none

SAE Static Test—System pressure 2000 psi (138 Bar)

Hitch point distance to ground level in. (mm)	8.0 (203)	14.0 (355)	19.9 (505)	25.9 (657)	32.1 (815)
Lift force on frame lb	3278	3369	3281	3011	2678
" " " " " " (kN)	(14.6)	(15.0)	(14.6)	(13.4)	(11.9)

REPAIRS AND ADJUSTMENTS: No repairs or adjustments

REMARKS: All test results were determined from observed data obtained in accordance with official OECD, SAE and Nebraska test procedures. The manufacturer's claim of 13.9 GPM (52.5 lpm) hydraulic flow with auxiliary and lift pumps combined was not verified. The 3 point lift performance with the Category II setting was not verified. For the maximum power tests, the fuel temperature at the injection pump inlet was maintained at 136°F (58°C).

We, the undersigned, certify that this is a true and correct report of official Tractor Test No. **1863**, January 17, 2006.

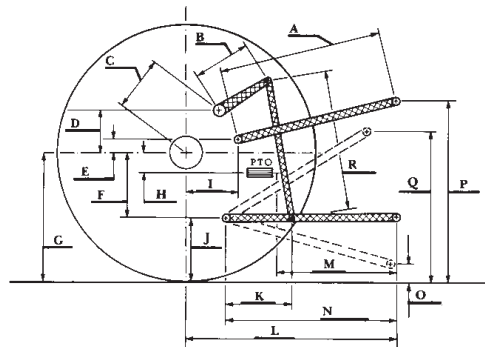
Leonard L. Bashford
Director

M.F. Kocher
V.I. Adamchuk
J.A. Smith
Board of Tractor Test Engineers

SAE/OECD test

	inch	mm
A	24.5	622
B	10.5	267
C	12.0	304
D	9.1	232
E	8.0	204
F	8.3	212
G	23.4	595
H	3.8	95
I	6.9	175
J	15.1	383
K	19.1	484
L	32.8	834
M	21.0	534
N	34.3	870
O	8.0	203
P	33.2	843
Q	31.3	795
R	24.6	625

HITCH DIMENSIONS AS TESTED - NO LOAD



MASSEY FERGUSON 451 Diesel

Institute of Agriculture and Natural Resources
University of Nebraska-Lincoln