

# NEBRASKA OECD TRACTOR TEST 1911 - SUMMARY 579

## CASE IH STEIGER 530 QUADTRAC DIESEL

## ALSO CASE IH STX 530 QUADTRAC DIESEL

## ALSO CASE IH STEIGER 535 QUADTRAC DIESEL

### 16 SPEED

#### POWER TAKE-OFF PERFORMANCE

Power HP (kW)	Crank shaft speed rpm	Gal/hr (l/h)	lb/hp.hr (kg/kW.h)	Hp.hr/gal (kW.h/l)	Mean Atmospheric Conditions
<b>MAXIMUM POWER AND FUEL CONSUMPTION</b>					
<b>Rated engine speed—(PTO speed—1051 rpm)</b>					
473.65 (353.20)	2100	27.65 (104.68)	0.409 (0.249)	17.13 (3.37)	
<b>Standard power take-off speed (1000 rpm)</b>					
501.68 (374.11)	1997	28.16 (106.59)	0.393 (0.239)	17.82 (3.51)	
<b>Maximum power (1 Hour)</b>					
534.72 (398.74)	1800	29.27 (110.80)	0.383 (0.233)	18.27 (3.60)	

#### VARYING POWER AND FUEL CONSUMPTION

473.65 (353.20)	2100	27.65 (104.68)	0.409 (0.249)	17.13 (3.37)	Air temperature
					79°F (26°C)
85% load level not run due to vibration					
Relative humidity					
309.26 (230.62)	2152	21.44 (81.17)	0.485 (0.295)	14.42 (2.84)	
205.62 (153.33)	2151	16.59 (62.78)	0.565 (0.343)	12.40 (2.44)	40%
Barometer					
103.84 (77.43)	2173	9.83 (37.21)	0.663 (0.403)	10.56 (2.08)	
2.02 (1.51)	2176	5.37 (20.33)	18.582 (11.303)	0.38 (0.07)	28.61" Hg (96.88 kPa)

Maximum torque - 1760 lb.-ft. (2387 Nm) at 1406 rpm

Maximum torque rise - 48.4%

Torque rise at 1701 engine rpm - 36%

Power increase at 1800 engine rpm - 12.9%

#### DRAWBAR PERFORMANCE FUEL CONSUMPTION CHARACTERISTICS

Power Hp (kW)	Drawbar pull lbs (kN)	Speed mph (km/h)	Crank- shaft speed rpm	Slip %	Fuel Consumption lb/hp.hr (kg/kW.h)	Hp.hr/gal (kW.h/l)	Temp.°F (°C) cool- ing med	Air dry bulb	Barom. inch Hg (kPa)
<b>Maximum Power—4th Gear</b>									
406.28 (302.96)	32520 (144.66)	4.68 (7.54)	2101	3.7	0.468 (0.285)	14.98 (2.95)	184 (84)	52 (11)	28.92 (97.93)
<b>75% of Pull at Maximum Power—4th Gear</b>									
315.09 (234.96)	24378 (108.44)	4.85 (7.80)	2138	2.2	0.521 (0.317)	13.47 (2.65)	183 (84)	70 (21)	28.90 (97.87)
<b>50% of Pull at Maximum Power—4th Gear</b>									
212.79 (158.68)	16229 (72.19)	4.92 (7.91)	2146	1.1	0.631 (0.384)	11.12 (2.19)	181 (83)	72 (22)	28.90 (97.87)
<b>75% of Pull at Reduced Engine Speed—7th Gear</b>									
314.55 (234.56)	24406 (108.56)	4.83 (7.78)	1541	2.1	0.490 (0.298)	14.31 (2.82)	188 (87)	71 (22)	28.90 (97.87)
<b>50% of Pull at Reduced Engine Speed—7th Gear</b>									
214.46 (159.92)	16290 (72.46)	4.94 (7.95)	1557	1.1	0.531 (0.323)	13.20 (2.60)	189 (87)	73 (23)	28.89 (97.83)

**Location of tests:** Nebraska Tractor Test Laboratory, University of Nebraska, Lincoln Nebraska 68583-0832

**Dates of tests:** October 2 - 24, 2007

**Manufacturer:** Case Corporation, 700 State Street Racine, Wi. 53404 USA.

**FUEL, OIL and TIME:** Fuel No. 2 Diesel Specific gravity converted to 60°/60° F (15°/15°C) 0.8407 Fuel weight 7.000 lbs/gal (0.839 kg/l) Oil SAE 15W40 API service classification CI-4 Transmission and hydraulic lubricant Akcela Hy-Tran Ultra fluid Front and rear axle lubricant Akcela Hy-Tran Ultra fluid Total time engine was operated 17.0 hours

**ENGINE:** Make Cummins Diesel Type six cylinder vertical with turbocharger and air to air aftercooler Serial No. 79234480 Crankshaft lengthwise Rated engine speed 2100 Bore and stroke 5.394" x 6.654" (137.0 mm x 169.0 mm) Compression ratio 17.0 to 1 Displacement 912 cu in (14945 ml) Starting system 24 volt Lubrication pressure Air cleaner two paper elements and aspirator Oil filter one full flow cartridge Oil cooler engine coolant heat exchanger for crankcase oil, radiator for transmission and hydraulic oil Fuel filter one paper element Fuel cooler radiator for returned fuel Muffler vertical Cooling medium temperature control one thermostat and variable speed fan

**ENGINE OPERATING PARAMETERS:** Fuel rate: 185.1 - 196.5 lb/h (84.0 - 89.1 kg/h) High idle: 2160 - 2200 rpm Turbo boost: nominal 26.8 - 29.0 psi (185 - 200 kPa) as measured 27.9 psi (192 kPa)

**CHASSIS:** Type Tracklayer - rubber tracked Serial No. \*Z7F105596\* Track width rear 88.0" (2235 mm) front 88.0" (2235 mm) Trackbase 154.0" (3912 mm) Length of track on ground 29.4" (748 mm) Hydraulic control system direct engine drive Transmission selective gear fixed ratio with full range operator controlled powershift Nominal travel speeds mph (km/h) first 2.78 (4.47) second 3.34 (5.38) third 4.04 (6.50) fourth 4.87 (7.83) fifth 5.59 (8.99) sixth 6.14 (9.88) seventh 6.73 (10.83) eighth 7.39 (11.90) ninth 8.13 (13.08) tenth 8.93 (14.37) eleventh 9.79 (15.76) twelfth 10.76 (17.32) thirteenth 12.35 (19.88) fourteenth 14.88 (23.94) fifteenth 17.98 (28.93) sixteenth 21.64 (34.82) reverse 4.21 (6.77), 9.30 (14.97) Clutch multiple wet disc electro-hydraulically operated by foot pedal Brakes single wet disc hydraulically actuated by foot pedal Steering hydrostatic and articulated Power take-off 1000 rpm at 1998 engine rpm Unladen tractor mass 52410 lb (23773 kg)

**DRAWBAR PERFORMANCE  
MAXIMUM POWER IN SELECTED GEARS**

Power Hp (kW)	Drawbar pull lbs (kN)	Speed mph (km/h)	Crank- shaft speed rpm	Slip %	Fuel Consumption lb/hp.hr (kg/kW.h)	Hp.hr/gal (kW.h/l)	Temp.°F(°C) cool- ing med	Air dry bulb	Barom. inch Hg (kPa)
					<b>3rd Gear</b>				
414.01 (308.73)	50065 (222.70)	3.10 (4.99)	1830	12.2	0.477 (0.290)	14.72 (2.90)	184 (84)	48 (9)	28.92 (97.93)
					<b>4th Gear</b>				
443.18 (330.48)	42750 (190.16)	3.89 (6.26)	1804	7.1	0.448 (0.272)	15.66 (3.08)	185 (85)	54 (12)	28.92 (97.93)
					<b>5th Gear</b>				
452.92 (337.74)	37220 (165.56)	4.56 (7.34)	1805	5.0	0.432 (0.263)	16.23 (3.20)	184 (84)	56 (13)	28.92 (97.93)
					<b>6th Gear</b>				
455.79 (339.88)	33807 (150.38)	5.06 (8.14)	1801	4.1	0.437 (0.266)	16.05 (3.16)	185 (85)	59 (15)	28.91 (97.90)
					<b>7th Gear</b>				
452.01 (337.06)	30255 (134.58)	5.60 (9.02)	1806	3.3	0.449 (0.273)	15.62 (3.08)	184 (84)	60 (16)	28.91 (97.90)
					<b>8th Gear</b>				
454.57 (338.97)	27593 (122.74)	6.18 (9.94)	1802	2.8	0.443 (0.269)	15.84 (3.12)	184 (84)	66 (19)	28.91 (97.90)
					<b>9th Gear</b>				
451.81 (336.91)	24844 (110.51)	6.82 (10.98)	1800	2.1	0.452 (0.275)	15.52 (3.06)	183 (84)	67 (19)	28.91 (97.90)
					<b>10th Gear</b>				
451.23 (336.48)	22488 (100.03)	7.52 (12.11)	1800	1.7	0.452 (0.275)	15.52 (3.06)	184 (84)	68 (20)	28.90 (97.87)
					<b>11th Gear</b>				
444.15 (331.20)	20117 (89.48)	8.28 (13.32)	1801	1.4	0.458 (0.278)	15.32 (3.02)	184 (84)	69 (21)	28.90 (97.87)

**REPAIRS AND ADJUSTMENTS:** No repairs or adjustments.

**REMARKS:** All test results were determined from observed data obtained in accordance with official OECD, SAE and Nebraska test procedures. For the maximum power tests, the fuel temperature at the injection pump inlet was maintained at 108°F (42°C). The manufacturer's Cab sound level claim of 75 dB(A), with Luxury cab, was not verified. The performance figures on this Summary were taken from a test conducted under the OECD Code II test procedure.

We, the undersigned, certify that this is a true and correct report of official Tractor Test No. **1911**, Nebraska Summary 579, February 8, 2008.

Roger M. Hoy  
Director

M.F. Kocher  
R.E Yoder  
J.A. Smith  
Board of Tractor Test Engineers

<b>TRACTOR SOUND LEVEL WITH DELUXE CAB</b>	<b>dB(A)</b>
At no load in 4th gear	74.0
Bystander in 16th Gear	92.5

**TIRES, BALLAST AND WEIGHT**

<b>Rear tracks</b> - no & size	<b>Tested without ballast</b>
<b>Front tracks</b> - no & size	2 x 30.0 in (762 mm)
<b>Height of drawbar</b>	2 x 30.0 in (762 mm)
<b>Static weight with operator- Rear</b>	19.0 in (485 mm)
<b>- Front</b>	22670 lb (10283 kg)
<b>- Total</b>	29915 lb (13569 kg)
	52585 lb (23852 kg)

### THREE POINT HITCH PERFORMANCE (OECD Static Test)

CATEGORY: IVN

Quick Attach: yes

Maximum force exerted through whole range:	19728 lbs (87.8 kN)	
	<u>Standard pump</u>	<u>High flow pump</u>
i) Sustained pressure of the open relief valve:	3040 psi (210 bar)	3036 psi (209 bar)
ii) Pump delivery rate at minimum pressure and rated engine speed:	42.6 GPM (161.3 l/min)	59.3 GPM (224.5 l/min)
iii) Pump delivery rate at maximum hydraulic power:	NA	55.6 GPM (210.5 l/min)
Delivery pressure:	NA	2658 psi (183 bar)
Power:	NA	86.2 Hp (64.3 kW)

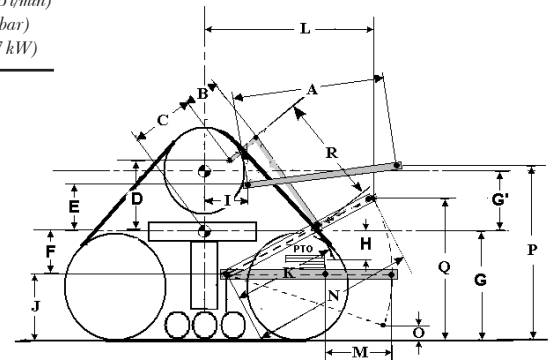
### TwinFlow system

	<u>Main pump</u>	<u>TwinFlow pump</u>
i) Sustained pressure at compensator cutoff:	3021 psi (208 bar)	3031 psi (209 bar)
ii) Pump delivery rate at minimum pressure and rated engine speed:	58.9 GPM (222.8 l/min)	39.6 GPM (150.0 l/min)
Combined flow:	98.5 GPM (372.8 l/min)	
iii) Pump delivery rate at maximum hydraulic power:	57.2 GPM (216.3 l/min)	37.1 GPM (140.6 l/min)
Delivery pressure:	2345 psi (162 bar)	2832 psi (195 bar)
Power:	78.2 HP (58.3 kW)	61.3 Hp (45.7 kW)

### HITCH DIMENSIONS AS TESTED - NO LOAD

	inch	mm
A	32.6	827
B	29.9	760
C	23.2	590
D	22.0	558
E	13.5	342
F	13.4	340
G	35.0	890
*G'	11.8	300
H	4.6	117
I	22.8	578
J	21.6	550
K	29.0	736
L	56.3	1431
*L'	63.6	1615
M	34.3	871
N	46.5	1181
O	7.9	200
P	45.4	1154
Q	40.9	1039
R	38.5	978

\*G' to undercarriage pivot point  
\*L' to Quick coupler ends



Case IH Steiger 530 Quadtrac Diesel