

HYDRAULIC PERFORMANCE

CATEGORY: II

Quick Attach: None

OECD Static test

Maximum force exerted through whole range:	3213 lbs	(14.3 kN)
i) Sustained pressure of the open relief valve:	2807 psi	(194 bar)
ii) Pump delivery rate at minimum pressure and rated engine speed:	16.1 GPM	(60.9 l/min)
iii) Pump delivery rate at maximum hydraulic power:	16.4 GPM	(62.1 l/min)
Delivery pressure:	2431 psi	(168 bar)
Power:	23.3 HP	(17.3 kW)

THREE POINT HITCH PERFORMANCE

Observed maximum pressure psi. (bar)	2830 (195)
Location:	remote outlet
Hydraulic oil temperature: °F (°C)	148 (64)
Location:	pump inlet
Category:	II
Quick attach:	none

SAE Static Test—System pressure 2520 psi (174 Bar)

Hitch point distance to ground level in. (mm)	8.0 (203)	15.0 (381)	22.0 (559)	29.0 (737)	36.0 (914)
Lift force on frame lb	4694	4829	4685	4266	3596
" " " " " (kN)	(20.9)	(21.5)	(20.8)	(19.0)	(16.0)

REPAIRS AND ADJUSTMENTS: No repairs or adjustments

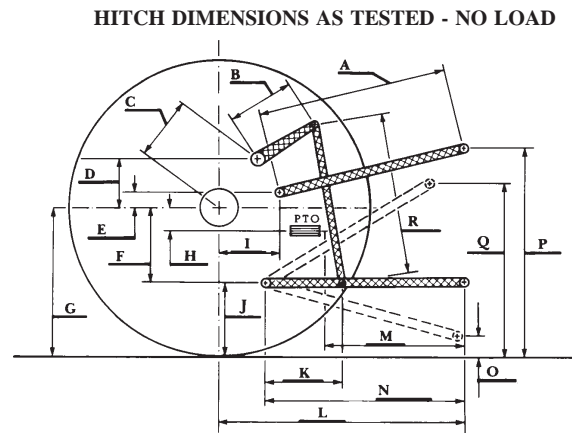
REMARKS: All test results were determined from observed data obtained in accordance with official OECD, SAE and Nebraska test procedures. For the maximum power tests, the fuel temperature at the injection pump inlet was maintained at 147°F (64°C).

We, the undersigned, certify that this is a true and correct report of official Tractor Test No. 1947, July 30, 2009.

Roger M. Hoy
Director

M.F. Kocher
V.I. Adamchuk
J.A. Smith
Board of Tractor Test Engineers

	SAE Test		OECD Test	
	inch	mm	inch	mm
A	23.2	590	24.1	613
B	11.0	280	11.0	280
C	14.0	356	14.0	356
D	12.2	311	12.2	311
E	11.2	284	11.2	284
F	6.5	165	6.5	165
G	27.4	695	27.4	695
H	0.2	4	0.2	4
I	15.1	384	15.1	384
J	20.9	530	20.9	530
K	16.7	424	16.7	424
L	39.2	996	39.2	996
M	22.4	570	22.4	570
N	32.9	836	32.9	836
O	8.0	203	8.0	203
P	40.9	1040	44.9	1140
Q	34.0	864	34.0	864
R	20.8	527	20.8	527



Economy mode
540 PTO rpm @ 1716 engine rpm

Power HP (kW)	Crank shaft speed rpm	Gal/hr (l/h)	lb/hp.hr (kg/kW.h)	Hp.hr/gal (kW.h/l)
46.91 (34.98)	1715	2.55 (9.65)	0.383 (0.233)	18.42 (3.63)
35.23 (26.27)	1710	2.13 (8.08)	0.427 (0.260)	16.52 (3.25)
23.52 (17.54)	1711	1.61 (6.09)	0.482 (0.293)	14.63 (2.88)
11.85 (8.84)	1712	1.05 (3.99)	0.627 (0.381)	11.25 (2.21)
1.30 (0.97)	1713	0.68 (2.56)	3.658 (2.225)	1.93 (0.38)

Normal mode
540 PTO rpm @ 2410 engine rpm

Power HP (kW)	Crank shaft speed rpm	Gal/hr (l/h)	lb/hp.hr (kg/kW.h)	Hp.hr/gal (kW.h/l)
47.92 (35.74)	2414	3.60 (13.63)	0.530 (0.322)	13.32 (2.62)
35.79 (26.69)	2417	3.16 (11.97)	0.623 (0.379)	11.32 (2.23)
23.78 (17.74)	2414	2.41 (9.14)	0.716 (0.435)	9.85 (1.94)
11.92 (8.89)	2408	1.52 (5.76)	0.900 (0.548)	7.83 (1.54)
1.32 (0.98)	2409	0.96 (3.63)	5.113 (3.110)	1.38 (0.27)



John Deere 5083E Ltd Diesel