

SUMMARY OF OECD TEST 2938–NEBRASKA SUMMARY 1029A

MASSEY FERGUSON 7726 DYNA VT DIESEL

ALSO MASSEY FERGUSON 7726S DYNA VT DIESEL

CONTINUOUSLY VARIABLE TRANSMISSION

POWER TAKE-OFF PERFORMANCE

Power HP (kW)	Crank shaft speed rpm	Diesel Consumption		D.E.F. Consumption		Mean Atmospheric Conditions
		Gal/hr (l/h)	lb/hp.hr (kg/kW.h)	Hp.hr/gal (kW.l/l)	Gal/hr (l/h)	
MAXIMUM POWER AND FUEL CONSUMPTION						
Rated Engine Speed—(PTO speed—1102 rpm)						
215.1 (160.4)	2097	12.98 (49.12)	0.421 (0.256)	16.58 (3.27)	0.81 (3.05)	
Standard Power Take-off Speed (1001 rpm)						
235.9 (175.9)	1904	13.30 (50.35)	0.394 (0.239)	17.73 (3.49)	0.90 (3.42)	
Maximum Power (1 hour)						
235.9 (175.9)	1904	13.30 (50.35)	0.394 (0.239)	17.73 (3.49)	0.90 (3.42)	
VARYING POWER AND FUEL CONSUMPTION						
215.1 (160.4)	2097	12.98 (49.12)	0.421 (0.256)	16.58 (3.27)	0.81 (3.05)	Air temperature
184.5 (137.6)	2116	11.15 (42.20)	0.422 (0.256)	16.55 (3.26)	0.72 (2.73)	72°F (22°C)
139.1 (103.7)	2126	8.82 (33.38)	0.442 (0.269)	15.77 (3.11)	0.56 (2.12)	Relative humidity
93.1 (69.4)	2135	6.56 (24.84)	0.492 (0.299)	14.17 (2.79)	0.45 (1.72)	74%
46.7 (34.8)	2143	4.36 (16.50)	0.651 (0.396)	10.71 (2.11)	0.31 (1.17)	Barometer
---	2154	2.49 (9.42)	---	---	---	30.2" Hg (102.4 kPa)

Maximum torque - 755 lb.-ft. (1023 Nm) at 1300 rpm
 Maximum torque rise - 40.1%
 Torque rise at 1700 engine rpm - 34%
 Power increase at 1904 engine rpm - 9%

DRAWBAR PERFORMANCE (Unballasted - Front Drive Engaged) FUEL CONSUMPTION CHARACTERISTICS

Power Hp (kW)	Drawbar pull lbs (kN)	Speed mph (km/h)	Crank- shaft speed rpm	Slip %	Fuel Consumption lb/hp.hr (kg/kW.h)	Hp.hr/gal (kW.l/l)	Temp. °F (°C) cool- ing med	Air dry bulb	Barom. inch Hg (kPa)
Power at Rated Engine Speed—Turtle 8									
166.2 (123.9)	12680 (56.4)	4.92 (7.91)	2097	4.4	0.534 (0.325)	13.10 (2.58)	183 (84)	52 (11)	30.4 (102.8)
75% of Pull at Rated Engine Speed—Turtle 8									
127.5 (95.1)	9530 (42.4)	5.02 (8.08)	2120	3.0	0.553 (0.337)	12.63 (2.49)	190 (88)	52 (11)	30.4 (102.8)
50% of Pull at Rated Engine Speed—Turtle 8									
85.2 (63.5)	6340 (28.2)	5.04 (8.10)	2135	1.8	0.603 (0.367)	11.57 (2.28)	192 (89)	52 (11)	30.4 (102.8)
75% of Pull at Reduced Engine Speed—Turtle 10									
127.0 (94.7)	9445 (42.0)	5.04 (8.12)	1345	3.1	0.461 (0.281)	15.15 (2.99)	194 (90)	52 (11)	30.4 (102.8)
50% of Pull at Reduced Engine Speed—Turtle 10									
70.6 (52.6)	5230 (23.3)	5.06 (8.14)	1355	1.6	0.517 (0.315)	13.50 (2.66)	187 (86)	52 (11)	30.4 (102.8)

Location of tests: IRSTEA, Centre d'Antony, 1 rue Pierre-Giles de Gennes, CS 10030 92761 Antony, Cedex France

Dates of tests: November 2015 to January, 2016

Manufacturer: AGCO S.A. ZA, n2, BP 60307, Avenue Blaise Pascal, 60026 Beauvais, Cedex, France

CONSUMABLE FLUIDS: Fuel No. 2 Diesel Specific gravity converted to 60°/60°F (15°/15°C) 0.838 Fuel weight 6.98 lbs/gal (0.836 kg/l) Diesel Exhaust Fluid (DEF) 32% aqueous urea solution DEF weight 9.08 lbs/gal (1.091 kg/l) Oil SAE 15W40 API service classification CJ-4 Transmission and hydraulic lubricant BP Terrac Tractan 9 10W/40 Front axle lubricant SAE 85W140 API GL-5

ENGINE: Make AGCO Power Diesel Type six cylinder vertical with turbocharger, air to air intercooler and SCR (selective catalyst reduction) technology Serial No. Z0016 Crankshaft lengthwise Rated engine speed 2100 Bore and stroke 4.252" x 5.276" (108.0 mm x 134.0 mm) Compression ratio 17.8 to 1 Displacement 449 cu in (7365 ml) Starting system 12 volt Lubrication pressure Air cleaner two paper elements Oil filter one full flow cartridge Oil cooler engine coolant heat exchanger for crankcase oil, radiator for hydraulic and transmission oil Fuel filter one paper element Muffler underhood Exhaust vertical Cooling medium temperature control thermostat and variable speed fan

CHASSIS: Type front wheel assist Serial No. D192901 Tread width rear 52.8" (1340 mm) to 87.8" (2230 mm) front 52.8" (1340 mm) to 87.8" (2230 mm) Wheelbase 117.0" (2973 mm) Hydraulic control system direct engine drive Transmission CVT. A combination of mechanical and hydrostatic sections allow an infinite speed adjustment within the ranges noted. The transmission has two mechanical ranges. Nominal travel speeds mph (km/h) forward: Low range 0-19 (0-30), high range 0-25 (0-40) reverse: Low range 0-19 (0-30), high range 0-19 (0-30) Clutch a foot pedal controls the hydrostatic oil flow Brakes multiple wet disc hydraulically operated by two foot pedals that can be locked together Steering hydrostatic Power take-off 540 rpm at 1868 engine rpm or 1000 rpm at 1903 engine rpm Unladen tractor mass 18465 lb (8375 kg)

DRAWBAR PERFORMANCE

(Unballasted - Front Drive Engaged)

MAXIMUM POWER AT SELECTED TRAVEL SPEEDS

Power Hp (kW)	Drawbar pull lbs (kN)	Speed mph (km/h)	Crank- shaft speed rpm	Slip %	Fuel lb/hp.hr (kg/kW.h)	Consumption Hp.hr/gal (kW.h/l)	Temp. ^o F(°C) cool- ing med	Air dry bulb	Barom. inch Hg (kPa)
Turtle 3									
74.7 (55.7)	16520 (73.5)	1.70 (2.73)	2135	13.8	0.665 (0.404)	10.51 (2.07)	178 (81)	54 (12)	30.4 (102.8)
Turtle 4.5									
108.6 (81.0)	16500 (73.4)	2.47 (3.98)	2125	12.0	0.635 (0.386)	11.01 (2.17)	181 (83)	52 (11)	30.4 (102.8)
Turtle 6.5									
152.1 (113.4)	15600 (69.4)	3.65 (5.88)	2109	10.4	0.594 (0.362)	11.75 (2.32)	183 (84)	52 (11)	30.4 (102.8)
Turtle 8									
171.4 (127.8)	13490 (60.0)	4.77 (7.67)	2039	6.6	0.530 (0.322)	13.17 (2.59)	185 (85)	52 (11)	30.4 (102.8)
Turtle 10									
180.8 (134.8)	11285 (50.2)	6.01 (9.67)	1906	4.2	0.501 (0.305)	13.93 (2.75)	189 (87)	52 (11)	30.4 (102.8)
Turtle 13									
183.0 (136.5)	9645 (42.9)	7.11 (11.45)	1901	3.4	0.493 (0.300)	13.91 (2.79)	189 (87)	52 (11)	30.4 (102.8)
Turtle 15									
172.2 (128.4)	7330 (32.6)	8.81 (14.18)	1933	2.1	0.529 (0.322)	14.16 (2.60)	190 (88)	52 (11)	30.4 (102.8)
Rabbit 9									
154.9 (115.5)	12230 (54.4)	4.75 (7.64)	1941	5.2	0.590 (0.359)	11.83 (2.33)	190 (88)	54 (12)	30.4 (102.8)
Rabbit 12									
180.0 (134.2)	9485 (42.2)	7.12 (11.45)	1923	3.5	0.516 (0.314)	13.54 (2.67)	185 (85)	54 (12)	30.4 (102.8)
Rabbit 15									
183.5 (136.8)	7935 (35.3)	8.67 (13.96)	1915	2.5	0.499 (0.303)	14.01 (2.76)	189 (87)	54 (12)	30.4 (102.8)
Rabbit 17									
174.3 (130.0)	6540 (29.1)	9.99 (16.08)	1919	2.2	0.516 (0.314)	13.54 (2.67)	189 (87)	54 (12)	30.4 (102.8)
Rabbit 20									
165.8 (123.6)	5635 (25.1)	11.03 (17.75)	1907	1.8	0.551 (0.335)	12.69 (2.50)	190 (88)	54 (12)	30.4 (102.8)

REPAIRS AND ADJUSTMENTS: No repairs or adjustments.

REMARKS: All test results were determined from observed data obtained in accordance with official OECD test procedures. This tractor fell 9.5% short of meeting the manufacturer's 3 point lift claim of 16700 lbs (7575 kg). The performance figures on this summary were taken from a test conducted under the OECD Code 2 test procedure.

REPORT REISSUED: Supplemental sales permit for Massey Ferguson 7726S Dyna VT Diesel, August, 2018.

We, the undersigned, certify that this is a true summary of data from OECD Report No. **2938**, Nebraska Summary 1029A, December 18, 2018.

Roger M. Hoy
Director

M.F. Kocher
J.D. Luck
P.J. Jasa
Board of Tractor Test Engineers

TRACTOR SOUND LEVEL WITH CAB	Front wheel drive	
	Engaged dB(A)	Disengaged dB(A)
At no load in Turtle 8	70.0	70.0
Bystander		--

Horizontal distance of drawbar hitch point behind rear wheel axis - 33.6 in (854 mm), 37.6 in (954 mm), 39.5 in (1004 mm), 43.5 in (1104 mm), 45.4 in, (1154 mm), 49.4 in (1254 mm)

TIRES, BALLAST AND WEIGHT

Rear Tires - No., size, ply & psi(kPa)

Front Tires - No., size, ply & psi(kPa)

Height of Drawbar

Static Weight with operator - Rear

- Front

- Total

Tested without ballast

Two 620/70R42;**,13(90)

Two 480/70R30;**,16(110)

19.3 in (490 mm)

10980 lb (4980 kg)

7650 lb (3470 kg)

18630 lb (8450 kg)

HYDRAULIC PERFORMANCE

CATEGORY: III

Quick Attach: None

OECD Static test

Maximum force exerted through whole range: 15105 lbs (67.2 kN)

i) Sustained pressure of the open relief valve: 2870 psi (198 bar)

Standard Pump	Optional pump
29 GPM (110 l/min)	50 GPM (190 l/min)
two outlet sets combined	two outlet sets combined
29.9 GPM (113.0 l/min)	52.5 GPM (198.8 l/min)

ii) Pump delivery rate at minimum pressure:

iii) Pump delivery rate at maximum

hydraulic power:	27.8 GPM (105.3 l/min)	47.6 GPM (180.2 l/min)
Delivery pressure:	2490 psi (172 bar)	1855 psi (128 bar)
Power:	40.3 HP (30.0 kW)	51.5 HP (38.4 kW)

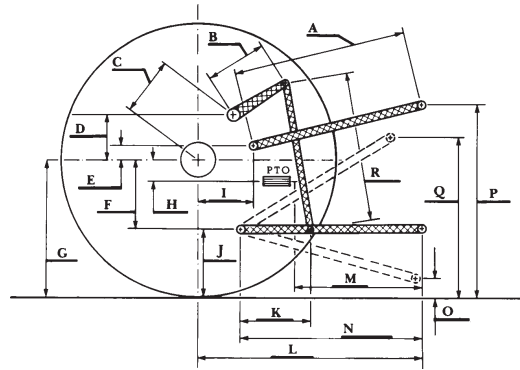
ii) Pump delivery rate at minimum pressure:

iii) Pump delivery rate at maximum

hydraulic power:	26.9 GPM (101.9 l/min)	30.0 GPM (113.8 l/min)
Delivery pressure:	2235 psi (154 bar)	2110 psi (146 bar)
Power:	35.1 HP (26.2 kW)	37.0 HP (27.6 kW)

HITCH DIMENSIONS AS TESTED—NO LOAD

	inch	mm
A	29.8	756
B	15.7	400
C	16.5	419
D	14.0	355
E	8.8	223
F	10.9	276
G	36.4	925
H	2.4	60
I	18.5	471
J	25.5	649
K	27.4	696
L	46.9	1192
M	23.6	600
N	39.5	1003
O	9.0	229
P	52.5	1334
Q	40.2	1020
R	33.1	840



RECOMMENDED CITATION FORMAT:

NTTL.(2018). OECD tractor test 2938 for Massey Ferguson 7726S Dyna VT Diesel.
Lincoln, NE:Nebraska Tractor Test Laboratory. Retrieved from <http://tractortestlab.unl.edu>