

SUMMARY OF OECD TEST 2988—NEBRASKA SUMMARY 1060A

MASSEY FERGUSON 7715 DYNA VT DIESEL

ALSO MASSEY FERGUSON 7715S DYNA VT DIESEL

CONTINUOUSLY VARIABLE TRANSMISSION

POWER TAKE-OFF PERFORMANCE

Power HP (kW)	Crank shaft speed rpm	Diesel Consumption		D.E.F. Consumption		Mean Atmospheric Conditions
		Gal/hr (l/h)	lb/hp.hr (kg/kW.h)	Hp.hr/gal (kW.h/l)	Gal/hr (l/h)	
MAXIMUM POWER AND FUEL CONSUMPTION						
Rated Engine Speed—(PTO speed—1102 rpm)						
138.1 (103.0)	2099	8.20 (31.02)	0.414 (0.252)	16.85 (3.32)	0.55 (2.10)	
Maximum Power (1 hour)						
148.3 (110.6)	2000	8.49 (32.10)	0.399 (0.243)	17.46 (3.44)	0.58 (2.21)	
Standard Power Take-off Speed (1000 rpm)						
145.5 (108.5)	1904	8.12 (30.76)	0.390 (0.237)	17.91 (3.53)	0.58 (2.21)	
VARYING POWER AND FUEL CONSUMPTION						
138.1 (103.0)	2099	8.20 (31.02)	0.414 (0.252)	16.85 (3.32)	0.55 (2.10)	Air temperature
118.3 (88.2)	2121	7.22 (27.32)	0.426 (0.259)	16.39 (3.23)	0.46 (1.75)	70°F (21°C)
89.0 (66.4)	2125	5.83 (22.07)	0.457 (0.278)	15.28 (3.01)	0.43 (1.62)	Relative humidity
59.5 (44.4)	2135	4.50 (17.05)	0.528 (0.321)	13.22 (2.61)	0.29 (1.08)	65%
29.9 (22.3)	2146	3.22 (12.20)	0.752 (0.457)	9.28 (1.83)	0.23 (0.87)	Barometer
---	2152	2.15 (8.15)	---	---	0.05 (0.19)	29.9" Hg (101.9 kPa)

Maximum torque - 462 lb.-ft. (627 Nm) at 1500 rpm
 Maximum torque rise - 33.7%
 Torque rise at 1700 engine rpm - 25%
 Power increase at 2000 engine rpm - 7%

DRAWBAR PERFORMANCE

(Unballasted - Front Drive Engaged) FUEL CONSUMPTION CHARACTERISTICS

Power Hp (kW)	Drawbar pull lbs (kN)	Speed mph (km/h)	Crank- shaft speed rpm	Slip %	Fuel Consumption		Temp. °F (°C)		Barom. inch Hg (kPa)
					lb/hp.hr (kg/kW.h)	Hp.hr/gal (kW.h/l)	cool- ing med	Air dry bulb	
Power at Rated Engine Speed—Turtle 8									
104.7 (78.1)	7960 (35.4)	4.93 (7.94)	2097	3.5	0.547 (0.333)	12.79 (2.52)	190 (88)	79 (26)	30.1 (101.8)
75% of Pull at Rated Engine Speed—Turtle 8									
79.9 (59.5)	6050 (26.9)	4.95 (7.96)	2124	3.2	0.592 (0.360)	11.83 (2.33)	190 (88)	79 (26)	30.1 (101.8)
50% of Pull at Rated Engine Speed—Turtle 8									
53.0 (39.5)	4005 (17.8)	4.96 (7.98)	2130	2.2	0.707 (0.430)	9.90 (1.95)	190 (88)	79 (26)	30.1 (101.8)
75% of Pull at Reduced Engine Speed—Turtle 10									
79.5 (59.3)	6025 (26.8)	4.95 (7.97)	1405	3.1	0.506 (0.308)	13.81 (2.72)	198 (92)	82 (28)	30.1 (101.8)
50% of Pull at Reduced Engine Speed—Turtle 10									
53.4 (39.8)	4025 (17.9)	4.97 (8.00)	1414	2.3	0.574 (0.349)	12.18 (2.40)	196 (91)	82 (28)	30.1 (101.8)

Location of tests: IRSTEА, Centre d'Antony, 1 rue Pierre-Giles de Gennes, CS 10030 92761 Antony, Cedex France

Dates of tests: July to August, 2016

Manufacturer: AGCO S.A.S 41, Avenue Blaise Pascal, 60000 Beauvais, France

CONSUMABLE FLUIDS: Fuel No. 2 Diesel Specific gravity converted to 60°/60°F (15°/15°C) 0.839 Fuel weight 6.98 lbs/gal (0.837 kg/l) Diesel Exhaust Fluid (DEF) 32% aqueous urea solution DEF weight 9.08 lbs/gal (1.091 kg/l) Oil SAE 15W40 API service classification CJ-4 Transmission and hydraulic lubricant BP Terrac Tractan 9 10W/40 Front axle lubricant SAE 85W140 API GL-5

ENGINE: Make AGCO Power Diesel Type six cylinder vertical with turbocharger, air to air intercooler and SCR (selective catalyst reduction) technology Serial No. Z0018 Crankshaft lengthwise Rated engine speed 2100 Bore and stroke 4.252" x 4.724" (108.0 mm x 120.0 mm) Compression ratio 17.4 to 1 Displacement 402 cu in (6596 ml) Starting system 12 volt Lubrication pressure Air cleaner two paper elements Oil filter one full flow cartridge Oil cooler engine coolant heat exchanger for crankcase oil, radiator for hydraulic and transmission oil Fuel filter one paper element Muffler underhood Exhaust vertical Cooling medium temperature control thermostat and variable speed fan

CHASSIS: Type front wheel assist Serial No. F 049 023 Tread width rear 52.8" (1340 mm) to 87.8" (2230 mm) front 52.8" (1340 mm) to 87.8" (2230 mm) Wheelbase 113.2" (2875 mm) Hydraulic control system direct engine drive Transmission CVT. A combination of mechanical and hydrostatic sections allow an infinite speed adjustment within the ranges noted. The transmission has two mechanical ranges. Nominal travel speeds mph (km/h) forward: Low range 0-17 (0-28), high range 0-25 (0-40) reverse: Low range 0-10 (0-16), high range 0-23 (0-38) Clutch a foot pedal controls the hydrostatic oil flow Brakes multiple wet disc hydraulically operated by two foot pedals that can be locked together Steering hydrostatic Power take-off 540 rpm at 1868 engine rpm or 1000 rpm at 1903 engine rpm Unladen tractor mass 17295 lb (7845 kg)

DRAWBAR PERFORMANCE AT 2000 ENGINE RPM

(Unballasted - Front Drive Engaged)

MAXIMUM POWER AT SELECTED TRAVEL SPEEDS

Power Hp (kW)	Drawbar pull lbs (kN)	Speed mph (km/h)	Crank- shaft speed rpm	Slip %	Fuel Consumption lb/hp.hr (kg/kW.h)	Consumption Hp.hr/gal (kW.h/l)	Temp. ^o F(°C) cool- ing med	Air dry bulb	Barom. inch Hg (kPa)
Turtle 3.0									
70.1 (52.3)	15130 (67.3)	1.74 (2.80)	2125	14.7	0.635 (0.386)	11.01 (2.17)	178 (81)	77 (25)	30.1 (101.8)
Turtle 4.5									
102.1 (76.1)	14860 (66.1)	2.58 (4.15)	2103	11.2	0.564 (0.343)	12.40 (2.44)	187 (86)	77 (25)	30.1 (101.8)
Turtle 6.5									
112.5 (83.9)	10970 (48.8)	3.85 (6.19)	2028	7.0	0.534 (0.325)	13.10 (2.58)	187 (86)	77 (25)	30.1 (101.8)
Turtle 8									
113.2 (84.4)	8745 (38.9)	4.85 (7.81)	2009	5.6	0.532 (0.323)	13.16 (2.59)	189 (87)	77 (25)	30.1 (101.8)
Turtle 10									
114.7 (85.5)	6770 (30.1)	6.35 (10.22)	1982	3.4	0.521 (0.317)	13.44 (2.65)	189 (89)	79 (26)	30.1 (101.8)
Turtle 13									
111.9 (83.4)	5150 (22.9)	8.15 (13.11)	2007	2.1	0.536 (0.326)	13.05 (2.57)	196 (91)	84 (29)	30.1 (101.8)
Turtle 15									
106.1 (79.1)	4315 (19.2)	9.22 (14.84)	2010	1.8	0.567 (0.345)	12.33 (2.43)	198 (92)	84 (29)	30.1 (101.8)
Rabbit 9									
113.2 (84.4)	7555 (33.6)	5.62 (9.04)	2012	4.5	0.530 (0.322)	13.21 (2.60)	198 (92)	86 (30)	30.1 (101.8)
Rabbit 12									
112.4 (83.8)	5575 (24.8)	7.56 (12.16)	2001	2.6	0.534 (0.325)	13.10 (2.58)	199 (93)	86 (30)	30.1 (101.8)
Rabbit 15									
110.5 (82.4)	4405 (19.6)	9.41 (15.13)	1996	1.7	0.541 (0.329)	12.94 (2.55)	205 (96)	86 (30)	30.0 (101.7)
Rabbit 17									
103.5 (77.2)	3505 (15.6)	11.07 (17.81)	2030	1.1	0.579 (0.352)	12.09 (2.38)	198 (92)	90 (32)	30.0 (101.7)

REPAIRS AND ADJUSTMENTS: No repairs or adjustments.

NOTE: The performance figures on this report are the result of replacing the electronic engine control module of the Massey Ferguson 7718 Dyna VT with the Massey Ferguson 7715 Dyna VT module.

REMARKS: All test results were determined from observed data obtained in accordance with official OECD test procedures. The performance figures on this summary were taken from a test conducted under the OECD Code 2 test procedure.

REPORT REISSUED: Supplemental sales permit for Massey Ferguson 7715S Dyna VT Diesel, November, 2018.

We, the undersigned, certify that this is a true summary of data from OECD Report No. **2988**, Nebraska Summary 1060A, November 29, 2018.

Roger M. Hoy
Director

M.F. Kocher
J.D. Luck
P.J. Jasa
Board of Tractor Test Engineers

TRACTOR SOUND LEVEL WITH CAB	Front wheel drive	
	Engaged dB(A)	Disengaged dB(A)
At no load in Turtle 8	68.0	68.0
Bystander		--

Horizontal distance of drawbar hitch point behind rear wheel axis - 33.6 in (854 mm), 34.8 in (885 mm), 36.8 in (935 mm), 40.7 in (1035 mm), 42.7 in (1085 mm), 46.7 in (1185 mm)

TIRES, BALLAST AND WEIGHT

Rear Tires - No., size, ply & psi(kPa)
Front Tires - No., size, ply & psi(kPa)
Height of Drawbar
Static Weight with operator - Rear
 - Front
 - Total

Tested without ballast

Two 650/65R38; **; 13(90)
 Two 540/65R28; **; 15(100)
 19.7 in (500 mm)
 10220 lb (4635 kg)
 7240 lb (3285 kg)
 17460 lb (7920 kg)

HYDRAULIC PERFORMANCE

CATEGORY: 3, NAO lower links

Quick Attach: None

OECD Static test

Maximum force exerted through whole range: 16750 lbs (74.5 kN)

i) Sustained pressure of the open relief valve: 2915 psi (201 bar)

Standard Pump

Optional pump

29 GPM (110 l/min)

50 GPM (190 l/min)

two outlet sets combined two outlet sets combined

ii) Pump delivery rate at minimum pressure: 29.6 GPM (112.1 l/min)

51.9 GPM (196.5 l/min)

iii) Pump delivery rate at maximum

hydraulic power: 27.0 GPM (102.3 l/min) 48.2 GPM (182.5 l/min)

Delivery pressure: 2725 psi (188 bar) 2395 psi (165 bar)

Power: 42.9 HP (32.0 kW) 67.3 HP (50.2 kW)

ii) Pump delivery rate at minimum pressure: 30.2 GPM (114.2 l/min)

single outlet set single outlet set
32.9 GPM (124.6 l/min)

iii) Pump delivery rate at maximum

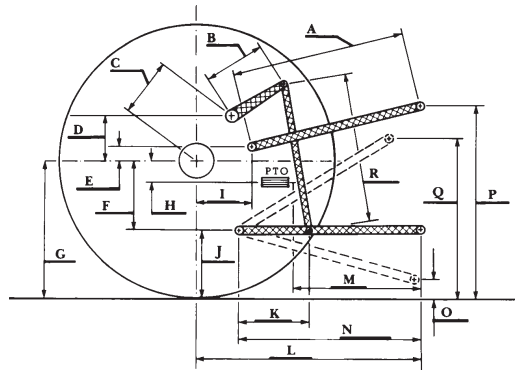
hydraulic power: 27.5 GPM (104.0 l/min) 27.5 GPM (104.0 l/min)

Delivery pressure: 2470 psi (170 bar) 2410 psi (166 bar)

Power: 39.6 HP (29.5 kW) 38.6 HP (28.8 kW)

HITCH DIMENSIONS AS TESTED—NO LOAD

	inch	mm
A	30.4	773
B	14.8	375
C	16.5	419
D	14.0	355
E	10.8	275
F	10.9	276
G	34.5	875
H	2.4	60
I	17.8	452
J	23.6	599
K	27.0	687
L	47.8	1213
M	24.4	621
N	40.3	1024
O	9.3	235
P	50.6	1284
Q	38.0	964
R	30.7	780



RECOMMENDED CITATION FORMAT:

NTTL.(2018). OECD tractor test 2988 for Massey Ferguson 7715S Dyna VT Diesel.
Lincoln, NE:Nebraska Tractor Test Laboratory. Retrieved from <http://tractortestlab.unl.edu>