

# SUMMARY OF OECD TEST 3107 - NEBRASKA SUMMARY 1150A

## FENDT 1050 DIESEL

### STEPLESS VARIODRIVE TRANSMISSION

#### POWER TAKE-OFF PERFORMANCE

Power HP (kW)	Crank shaft speed rpm	Diesel Consumption		D.E.F. Consumption		Mean Atmospheric Conditions
		Gal/hr (l/h)	lb/hp.hr (kg/kW.h)	Hp.hr/gal (kW.h/l)	Gal/hr (l/h)	
<b>MAXIMUM POWER AND FUEL CONSUMPTION</b>						
<b>Rated Engine Speed—(PTO speed—1053 rpm)</b>						
483.2 (360.3)	1700	23.72 (89.80)	0.340 (0.207)	20.37 (4.01)	1.55 (5.87)	
<b>Standard Power Take-off Speed (1000 rpm)</b>						
484.6 (361.4)	1614	23.59 (89.30)	0.337 (0.205)	20.54 (4.05)	1.64 (6.22)	
<b>Maximum Power (1 hour)</b>						
485.0 (361.7)	1500	23.56 (89.20)	0.335 (0.204)	20.58 (4.06)	1.78 (6.73)	

#### VARYING POWER AND FUEL CONSUMPTION

483.2 (360.3)	1700	23.72 (89.80)	0.340 (0.207)	20.37 (4.01)	1.55 (5.87)	Air temperature
420.8 (313.8)	1742	20.76 (78.60)	0.342 (0.208)	20.27 (3.99)	1.20 (4.55)	72°F (22°C)
318.3 (237.3)	1757	16.43 (62.22)	0.357 (0.217)	19.36 (3.81)	0.52 (1.98)	Relative humidity
213.8 (159.5)	1770	12.12 (45.90)	0.391 (0.238)	17.64 (3.48)	0.44 (1.65)	26%
108.3 (80.7)	1793	7.85 (29.70)	0.501 (0.305)	13.79 (2.72)	0.45 (1.70)	Barometer
--	1807	4.15 (15.70)	--	--	0.13 (0.63)	29.1" Hg (98.5 kPa)

Maximum torque - 1698 lb.-ft. (2302 Nm) at 1500 rpm  
 Maximum torque rise - 13.7%  
 Torque rise at 1400 engine rpm - 13%  
 Power increase at 1500 engine rpm - 0.4%

#### DRAWBAR PERFORMANCE

##### UNBALLASTED - FRONT DRIVE ENGAGED

##### FUEL CONSUMPTION CHARACTERISTICS

Power Hp (kW)	Drawbar pull lbs (kN)	Speed mph (km/h)	Crank- shaft speed rpm	Slip %	Fuel Consumption lb/hp.hr (kg/kW.h)	D.E.F. Consumption Hp.hr/gal (kW.h/l)	Temp. °F(°C)	Barom. inch Hg (kPa)
<b>Power at Rated Engine Speed—Speed setting 9</b>								
413.3 (308.2)	27735 (123.36)	5.59 (8.99)	1699	3.3	0.399 (0.243)	17.36 (3.42)	0.035 (0.021)	201 (94)
<b>75% of Pull at Rated Engine Speed—Speed setting 9</b>								
326.0 (243.2)	20885 (92.90)	5.85 (9.42)	1752	1.9	0.404 (0.246)	17.11 (3.37)	0.038 (0.023)	201 (94)
<b>50% of Pull at Rated Engine Speed—Speed setting 9</b>								
223.5 (166.7)	13885 (61.77)	6.04 (9.71)	1770	1.2	0.432 (0.263)	16.04 (3.16)	0.035 (0.021)	201 (94)
<b>75% of Pull at Reduced Engine Speed—Speed setting - 11</b>								
324.7 (242.1)	20820 (92.61)	5.85 (9.41)	1435	2.0	0.380 (0.231)	18.22 (3.59)	0.035 (0.021)	201 (94)
<b>50% of Pull at Reduced Engine Speed—Speed setting - 11</b>								
222.9 (166.2)	13890 (61.78)	6.02 (9.69)	1456	1.3	0.395 (0.240)	17.56 (3.46)	0.044 (0.027)	201 (94)

**Location of tests:** DLG e.V. Test Centre, Technology and Farm inputs, Max-Eyth-Weg 1, D-64823 Gross-Umstadt, Germany

**Dates of tests:** November, 2017 to January, 2018

**Manufacturer:** AGCO GmbH Johann Georg Fendt Str 4 D 87616 Marktobberdorf Germany

**CONSUMABLE Fluids:** Fuel No. 2 Diesel Specific gravity converted to 60°/60°F (15°/15°C) 0.8314 Fuel weight 6.93 lbs/gal (0.830 kg/l) Diesel Exhaust Fluid (DEF) 32% aqueous urea solution DEF weight 9.071 lbs/gal (1.087 kg/l) Oil SAE 5W-30 API service classification CJ-4 Transmission and hydraulic lubricant MAN M3277 fluid Front axle lubricant MAN M3277 fluid

**ENGINE:** Make MAN Diesel Type six cylinder vertical with turbocharger, air to air intercooler and D.E.F. (diesel exhaust fluid) exhaust treatment Serial No. 52246840514658 Crankshaft lengthwise Rated engine speed 1700 Bore and stroke 4.960 x 6.535" (126.0 mm x 166.0 mm) Compression ratio 17.0 to 1 Displacement 758 cu in (12419 ml) Starting system 24 volt Lubrication pressure Air cleaner two paper elements and aspirator Oil filter one full flow cartridge Oil cooler engine coolant heat exchanger for crankcase oil, radiator for hydraulic and transmission oil Fuel filter one paper element and prestrainer Fuel cooler radiator for pump return fuel Exhaust DOC (diesel oxidation catalyst)/DPF (diesel particulate filter) System and SCR (selective catalyst reduction) with a vertical muffler Cooling medium temperature control thermostat and variable speed fan

**CHASSIS:** Type front wheel assist with independent drive to each axle Serial No. 53023119 Tread width rear 74.8" (1900 mm) to 88.6" (2250 mm) front 79.9" (2030 mm) to 88.6" (2250 mm) Wheelbase 129.9" (3300 mm) Hydraulic control system direct engine drive Transmission CVT. A combination of mechanical and hydrostatic sections allow an infinite speed adjustment. Nominal travel speeds mph (km/h) forward: 0-37 (0-60), reverse: 0-21 (0-33) Clutch a foot pedal controls the hydrostatic oil flow Brakes wet multiple disc hydraulically operated by foot pedal Steering hydrostatic Power take-off 1000 rpm at 1614 engine rpm Unladen tractor mass 31615 lb (14340 kg)

## DRAWBAR PERFORMANCE

### UNBALLASTED - FRONT DRIVE ENGAGED - 1500 ENGINE RPM MAXIMUM POWER AT SELECTED TRAVEL SPEEDS

Power Hp (kW)	Drawbar pull lbs (kN)	Speed mph (km/h)	Crank- shaft speed rpm	Slip %	Fuel Consumption		D.E.F. Consumption	Temp. °F(°C)		Barom. inch Hg (kPa)
					lb/hp.hr (kg/kW.h)	Hp.hr/gal (kW.h/l)	lb/hp.hr (kg/kW.h)	cool- ing med	Air dry bulb	
Speed setting 5										
285.1 (212.6)	35765 (159.09)	2.99 (4.81)	1751	9.2	0.440 (0.268)	15.73 (3.10)	0.033 (0.020)	201 (94)	61 (16)	29.7 (100.7)
Speed setting 6										
350.8 (261.6)	35170 (156.45)	3.74 (6.02)	1739	7.8	0.423 (0.257)	16.37 (3.22)	0.036 (0.022)	201 (94)	61 (16)	29.7 (100.7)
Speed setting 7.5										
397.7 (296.6)	34780 (154.70)	4.29 (6.90)	1608	7.4	0.412 (0.251)	16.80 (3.31)	0.036 (0.022)	199 (93)	59 (15)	29.8 (100.8)
Speed setting 9										
413.6 (308.4)	31630 (140.69)	4.90 (7.89)	1500	4.4	0.394 (0.240)	17.56 (3.46)	0.036 (0.022)	201 (94)	59 (15)	29.8 (101.0)
Speed setting 11										
420.0 (313.2)	26150 (116.33)	6.02 (9.69)	1505	3.0	0.388 (0.237)	17.87 (3.52)	0.036 (0.022)	201 (94)	59 (15)	29.8 (101.0)
Speed setting 13										
420.5 (313.6)	22680 (100.88)	6.95 (11.19)	1502	2.6	0.388 (0.236)	17.87 (3.52)	0.035 (0.021)	199 (93)	63 (17)	29.4 (99.6)
Speed setting 15										
421.2 (314.1)	19325 (85.97)	8.17 (13.15)	1513	2.3	0.388 (0.236)	17.87 (3.52)	0.035 (0.021)	199 (93)	63 (17)	29.4 (99.6)
Speed setting 17										
419.1 (312.5)	16830 (74.87)	9.34 (15.03)	1502	2.1	0.389 (0.236)	17.82 (3.51)	0.035 (0.021)	199 (93)	63 (17)	29.4 (99.6)
Speed setting 19										
414.6 (309.2)	15045 (66.92)	10.34 (16.64)	1508	1.9	0.394 (0.239)	17.58 (3.46)	0.035 (0.021)	199 (93)	61 (16)	29.4 (99.6)

**REPAIRS AND ADJUSTMENTS:** No repairs or adjustments.

**REMARKS:** All test results were determined from observed data obtained in accordance with official OECD test procedures. This tractor did not meet the manufacturer's claim of 17% torque rise. The manufacturer's hydraulic pump flow claim of 113.5 GPM (430 l/min) with 2 pumps was not verified. The performance figures on this summary were taken from a test conducted under the OECD Code 2 test procedure.

**REPORT REISSUED.** Supplemental sales permit for Fendt 1050 Vario Drive Diesel, January 2021.

We, the undersigned, certify that this is a true summary of data from OECD Report No. **3107**, Nebraska Summary 1150A, January 11, 2021.

Roger M. Hoy  
Director

M.F. Kocher  
P.J. Jasa  
J.D. Luck  
Board of Tractor Test Engineers

### TRACTOR SOUND LEVEL WITH CAB

dB(A)

At no load at speed setting 4.7 mph (7.5 km/h)	65.9
Transport at speed setting 37 mph (60 km/h)	71.5
Bystander	--

Horizontal distances of drawbar hitch point behind rear wheel axis - 41.5 in (1053 mm), 47.4 in (1203 mm), 53.3 in (1353 mm)

### TIRES AND WEIGHT

**Rear Tires** - No., size, ply & psi (kPa)

**Front Tires** - No., size, ply & psi (kPa)

**Height of Drawbar**

**Static Weight with operator** - Rear

- Front

- Total

### Tested Without Ballast

Two 900/65R46;\*\*\*;12(80)

Two 710/60R38;\*\*\*;12(80)

25.6 in (650 mm)

17915 lb (8125 kg)

13700 lb (6215 kg)

31615 lb (14340 kg)

## HYDRAULIC PERFORMANCE

CATEGORY: 3

Quick Attach: No, Walterscheid quick couplers

Maximum force exerted through whole range: 17085 lbs (76.0 kN) (at 24" (610 mm) behind hitch points)  
18455 lbs (82.1 kN) at hitch points

i) Sustained pressure at compensator cutoff: 2850 psi (197 bar)  
**three outlet sets combined**

ii) Pump delivery rate at minimum pressure: 61.3 GPM (232.0 l/min)

iii) Pump delivery rate at maximum

hydraulic power: 58.3 GPM (220.7 l/min)

Delivery pressure: 2540 psi (175 bar)

Power: 86.3 HP (64.3 kW)

ii) Pump delivery rate at minimum pressure: 44.3 GPM (167.6 l/min)

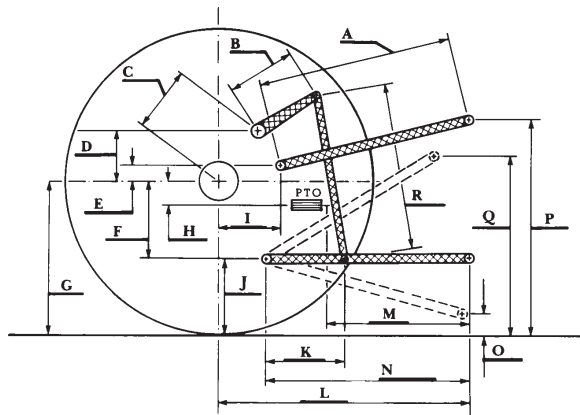
iii) Pump delivery rate at maximum

hydraulic power: 43.0 GPM (162.9 l/min)

Delivery pressure: 2320 psi (160 bar)

Power: 58.2 HP (43.5 kW)

## HITCH DIMENSIONS AS TESTED—NO LOAD



	inch	mm
A	35.0	890
B	15.5	393
C	18.6	473
D	15.7	398
E	3.5	90
F	16.9	430
G	44.3	1125
H	5.4	136
I	24.0	610
J	27.4	695
K	25.3	642
L	58.7	1490
M	30.8	782
N	43.3	1100
O	9.1	230
P	54.3	1380
Q	44.4	1127
R	41.4	1045

## RECOMMENDED CITATION FORMAT:

NTTL. (2021). OECD tractor test 3107 for Fendt 1050 VarioDrive Diesel.

Lincoln, NE: Nebraska Tractor Test Laboratory. Retrieved from <http://tractortestlab.unl.edu>