

# NEBRASKA TRACTOR TEST 1781C CHALLENGER MT 635 DIESEL 18 SPEED

## POWER TAKE-OFF PERFORMANCE

Power HP (kW)	Crank shaft speed rpm	Gal/hr (l/h)	lb/hp.hr (kg/kW.h)	Hp.hr/gal (kW.h/l)	Mean Atmospheric Conditions
<b>MAXIMUM POWER AND FUEL CONSUMPTION</b>					
<b>Rated Engine Speed—(PTO speed—1052 rpm)</b>					
164.45 (122.63)	2200	10.24 (38.76)	0.438 (0.266)	16.06 (3.16)	
<b>Standard Power Take-off Speed (1000 rpm)</b>					
171.41 (127.82)	2092	10.19 (38.59)	0.418 (0.254)	16.82 (3.31)	
<b>Maximum Power (2 Hours)</b>					
174.62 (130.21)	1950	9.88 (37.42)	0.398 (0.242)	17.67 (3.48)	
<b>VARYING POWER AND FUEL CONSUMPTION</b>					
164.45 (122.63)	2200	10.24 (38.76)	0.438 (0.266)	16.06 (3.16)	Air temperature
144.09 (107.45)	2269	9.48 (35.87)	0.462 (0.281)	15.21 (3.00)	76°F (25°C)
109.03 (81.31)	2293	7.90 (29.89)	0.509 (0.310)	13.81 (2.72)	Relative humidity
73.61 (54.89)	2317	6.27 (23.75)	0.599 (0.364)	11.73 (2.31)	31%
37.04 (27.62)	2338	4.74 (17.94)	0.899 (0.547)	7.82 (1.54)	Barometer
1.08 (0.80)	2367	3.12 (11.80)	20.322 (12.361)	0.35 (0.07)	29.16" Hg (98.75 kPa)
Maximum Torque - 561 lb.-ft. (761 Nm) at 1350 rpm					
Maximum Torque Rise - 43.0%					
Torque rise at 1800 engine rpm - 27%					

TRACTOR SOUND LEVEL WITH CAB	Front Wheel Drive	
	Engaged dB(A)	Disengaged dB(A)
At no load in 9th gear	73.8	73.5
Bystander		--

## TIRES AND WEIGHT

**Rear tires** - No., size, ply & psi (kPa)  
**Front tires** - No., size, ply & psi (kPa)  
**Height of Drawbar**  
**Static Weight with operator**- Rear  
 - Front  
 - Total

**Tested Without Ballast**  
 Two 18.4R42; \*\*, 22 (150)  
 Two 14.9R30; \*\*\*, 24 (165)  
 16.0 in (405 mm)  
 12235 lb (5550 kg)  
 6740 lb (3057 kg)  
 18975 lb (8607 kg)

**Location of tests:** Nebraska Tractor Test Laboratory, University of Nebraska, Lincoln Nebraska, 68583-0832

**Dates of tests:** September 15 - 26, 2000

**Manufacturer:** AGCO Corporation, 4205 River Green Parkway, Duluth Ga. 30096-2568 USA

**FUEL, OIL and TIME:** Fuel No. 2 Diesel Specific gravity converted to 60°/60°F (15°/15°C) 0.8441 Fuel weight 7.028 lbs/gal (0.842 kg/l) Oil SAE 15W40 API service classification CD/CF-4 Transmission and hydraulic lubricant AGCO Power fluid 821 XL Front axle lubricant AGCO Gear Lube 715 Total time engine was operated 8.0 hours

**ENGINE:** Make Sisu/Valmet Diesel Type six cylinder vertical with turbocharger and intercooler Serial No. H18085 Crankshaft lengthwise Rated engine speed 2200 Bore and stroke 4.251" x 5.278" (108.0 mm x 134.0 mm) Compression ratio 16.5 to 1 Displacement 449 cu in (7365 ml) Starting system 12 volt Lubrication pressure Air cleaner two paper elements and aspirator Oil filter one full flow cartridge Oil cooler engine coolant heat exchanger for crankcase oil, radiator for hydraulic and transmission oil Fuel filter two paper elements Muffler vertical Cooling medium temperature control thermostat and variable speed fan

**ENGINE OPERATING PARAMETERS:**  
**Fuel rate:** 71.9 - 77.9 lb/h (32.6 - 35.3 kg/h) **High idle:** 2304 - 2404 rpm **Turbo boost:** nominal 16.0 - 24.0 psi (110 - 165 kPa) as measured 22.6 psi (156 kPa)

**CHASSIS:** Type front wheel assist Serial No. \*CH245003\* Tread width rear 61.5" (1562 mm) to 126.0" (3200 mm) front 59.9" (1522 mm) to 87.9" (2233 mm) Wheelbase 121.1" (3075 mm) Hydraulic control system direct engine drive Transmission selective gear fixed ratio with full range operator controlled powershift Nominal travel speeds mph (km/h) first 1.36 (2.19) second 1.76 (2.83) third 2.27 (3.65) fourth 2.59 (4.17) fifth 2.92 (4.70) sixth 3.33 (5.36) seventh 3.78 (6.09) eighth 4.31 (6.94) ninth 4.88 (7.85) tenth 5.56 (8.95) eleventh 6.31 (10.16) twelfth 7.20 (11.58) thirteenth 8.13 (13.09) fourteenth 9.26 (14.91) fifteenth 10.53 (16.94) sixteenth 13.56 (21.82) seventeenth 17.54 (28.23) eighteenth 22.60 (36.37) reverse 1.36 (2.19), 2.27 (3.65), 2.59 (4.17), 3.78 (6.09), 4.31 (6.94), 6.31 (10.16) Clutch multiple wet disc electro-hydraulically operated by foot pedal Brakes multiple wet disc hydraulically operated by two foot pedals that can be locked together Steering hydrostatic Power take-off 540 rpm at 1991 engine rpm or 1000 rpm at 2091 engine rpm Unladen tractor mass 18800 lb (8165 kg)

### THREE POINT HITCH PERFORMANCE (OECD Static Test)

CATEGORY: III

Quick Attach: None

Maximum force exerted through whole range: 16101 lbs (71.6 kN)

		High flow option
i) Opening pressure of relief valve:	NA	NA
Sustained pressure of the open relief valve:	2860 psi (197 bar)	2850 psi (196 bar)
ii) Pump delivery rate at minimum pressure and rated engine speed:	29.7 GPM (112.4 l/min)	39.3 GPM (148.8 l/min)
iii) Pump delivery rate at maximum hydraulic power:	22.7 GPM (85.9 l/min)	35.9 GPM (135.9 l/min)
Delivery pressure:	2690 psi (185 bar)	2490 psi (172 bar)
Power:	35.6 HP (26.6 kW)	52.2 Hp (38.9 kW)

**REPAIRS AND ADJUSTMENTS:** No repairs or adjustments.

**REMARKS:** All test results were determined from observed data obtained in accordance with official OECD, SAE and Nebraska test procedures. For the maximum power tests the fuel temperature at the injection pump inlet was maintained at 129°F (54°C).

**NOTE:** The data on this report was obtained from Nebraska Test 1781B conducted on the Massey Ferguson 8245 Diesel.

### THREE POINT HITCH PERFORMANCE

Observed Maximum Pressure psi. (bar)	3015 (208)
Location:	lift cylinder
Hydraulic oil temperature: °F (°C)	153 (67)
Location:	hydraulic sump
Category:	III
Quick attach:	none

#### SAE Static Test—System pressure 2715 psi (187 Bar)

Hitch point distance to ground level in. (mm)	9.7 (246)	16.0 (406)	24.0 (610)	32.0 (813)	40.0 (1016)
Lift force on frame lb	18963	18432	18441	18054	16965
" " " " " " (kN)	(84.4)	(82.0)	(82.0)	(80.3)	(75.5)

	SAE TEST		OECD TEST	
	inch	mm	inch	mm
A	28.8	732	29.8	756
B	15.0	380	15.0	380
C	19.4	492	19.4	492
D	17.6	447	17.6	447
E	11.0	280	11.0	280
F	13.0	330	13.0	330
G	34.3	870	34.3	870
H	3.9	100	3.9	100
I	17.6	447	17.6	447
J	21.3	540	21.3	540
K	21.3	540	23.2	590
L	48.2	1225	48.2	1225
M	23.1	588	23.1	588
N	38.4	975	38.4	975
O	9.6	245	9.3	235
P	43.3	1100	48.2	1225
Q	39.5	1004	37.4	949
R	34.0	864	35.1	892

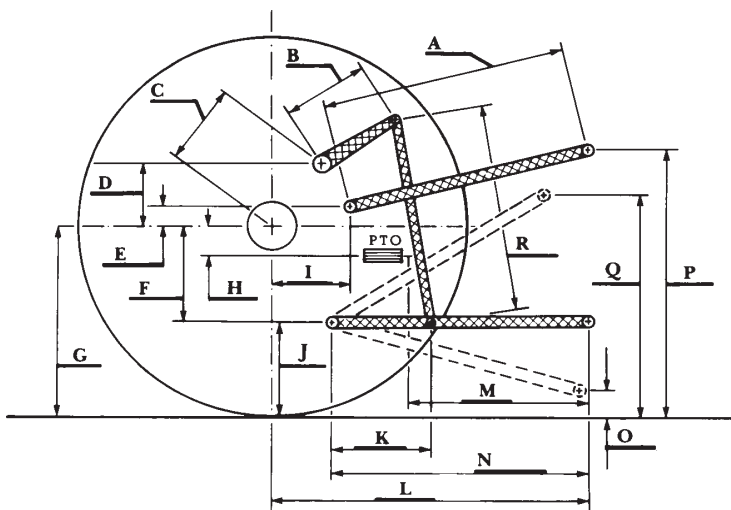
**Report reissued:** Supplemental sales permit for Challenger MT635 Diesel, July 2003.

We, the undersigned, certify that this is a true and correct report of Official Tractor Test No. **1781C**, June 6, 2003.

Leonard L. Bashford  
Director

M.F. Kocher  
W.P. Campbell  
G.J. Hoffman  
Board of Tractor Test Engineers

#### HITCH DIMENSIONS AS TESTED—NO LOAD



Agricultural Research Division  
Institute of Agriculture and Natural Resources  
University of Nebraska—Lincoln  
Edna McBreen, Interim Vice Chancellor