

NEBRASKA OECD TRACTOR TEST 2187 - SUMMARY 1118

CASE IH STEIGER 500 QUADTRAC DIESEL

16 SPEED

POWER TAKE-OFF PERFORMANCE

Power HP (kW)	Crank shaft speed rpm	Diesel Consumption Gal/hr (l/h)	D.E.F. Consumption			Mean Atmospheric Conditions
			lb/hp.hr (kg/kW.h)	Hp.hr/gal (kW.h/l)	Gal/hr (l/h)	
MAXIMUM POWER AND FUEL CONSUMPTION						
Rated Engine Speed—(PTO speed—1160 rpm)						
452.93 (337.75)	2101	25.13 (95.14)	0.388 (0.236)	18.02 (3.55)	1.93 (7.31)	
Maximum Power (1 hour)						
509.62 (380.02)	1900	26.79 (101.43)	0.368 (0.224)	19.02 (3.75)	2.14 (8.09)	
Standard Power Take-off Speed (1000 rpm)						
503.19 (375.23)	1811	26.04 (98.59)	0.362 (0.220)	19.32 (3.81)	2.06 (7.80)	

VARYING POWER AND FUEL CONSUMPTION

452.93 (337.75)	2101	25.13 (95.14)	0.388 (0.236)	18.02 (3.55)	1.93 (7.31)	Air temperature
393.07 (293.11)	2145	22.49 (85.13)	0.400 (0.243)	17.48 (3.44)	1.66 (6.28)	75°F (24°C)
296.29 (220.94)	2155	17.92 (67.83)	0.423 (0.257)	16.54 (3.26)	1.19 (4.51)	Relative humidity
198.59 (148.09)	2166	13.46 (50.93)	0.474 (0.288)	14.76 (2.91)	0.87 (3.31)	48%
100.05 (74.60)	2178	9.17 (34.71)	0.641 (0.390)	10.91 (2.15)	0.59 (2.23)	Barometer
3.67 (2.74)	2188	5.06 (19.15)	9.627 (5.856)	0.73 (0.14)	0.22 (0.83)	28.63" Hg (96.95 kPa)

Maximum torque - 1667 lb-ft (2260 Nm) at 1400 rpm

Maximum torque rise - 47.2%

Torque rise at 1681 engine rpm - 36%

Power increase at 1900 engine rpm - 12.5%

DRAWBAR PERFORMANCE FUEL CONSUMPTION CHARACTERISTICS

Power Hp (kW)	Drawbar pull lbs (kN)	Speed mph (km/h)	Crank- shaft speed rpm	Slip %	Fuel Consumption lb/hp.hr (kg/kW.h)	D.E.F. Consumption Hp.hr/gal (kW.h/l)	Temp. °F (°C)	Barom. inch Hg (kPa)		
							cool- ing med	Air dry bulb		
Power at Rated Engine Speed—4th Gear										
398.56 (297.21)	31444 (139.87)	4.76 (7.65)	2099	2.6	0.441 (0.268)	15.86 (3.12)	0.047 (0.028)	204 (95)	60 (16)	28.74 (97.33)
75% of Pull at Rated Engine Speed—4th Gear										
308.84 (230.30)	23541 (104.72)	4.92 (7.92)	2149	1.5	0.465 (0.283)	15.06 (2.97)	0.045 (0.027)	187 (86)	62 (17)	28.80 (97.53)
50% of Pull at Rated Engine Speed—4th Gear										
208.29 (155.32)	15696 (69.82)	4.98 (8.01)	2158	0.8	0.521 (0.317)	13.43 (2.64)	0.049 (0.030)	189 (87)	61 (16)	28.80 (97.53)
75% of Pull at Reduced Engine Speed—8th Gear										
308.41 (229.98)	23521 (104.63)	4.92 (7.92)	1414	1.5	0.397 (0.242)	17.61 (3.47)	0.046 (0.028)	183 (84)	60 (16)	28.81 (97.56)
50% of Pull at Reduced Engine Speed—8th Gear										
208.60 (155.55)	15604 (69.41)	5.01 (8.06)	1431	0.8	0.433 (0.263)	16.16 (3.18)	0.042 (0.026)	181 (83)	60 (15)	28.82 (97.60)

Location of tests: Nebraska Tractor Test Laboratory, University of Nebraska, Lincoln Nebraska 68583-0832

Dates of tests: October 20 - 24, 2017

Manufacturer: CNH Industrial America LLC, 700 State Street Racine, Wi. 53404 USA.

CONSUMABLE Fluids, OIL and TIME: Fuel No. 2 Diesel **Specific gravity converted to 60°/60°F (15°/15°C)** 0.8400 **Fuel weight** 6.994 lbs/gal (0.838 kg/l) **Diesel Exhaust Fluid (DEF)** 32% aqueous urea solution **DEF weight** 9.071 lbs/gal (1.087 kg/l) **Oil** SAE 15W40 **API service classification** CJ-4 **Transmission lubricant** Akcela Hy-Tran Ultraction fluid **Hydraulic and axle lubricant** Akcela Hy-Tran Ultraction fluid **Total time engine was operated:** 15.0 hours

ENGINE: Make F.P.T. Diesel **Type** six cylinder vertical with turbocharger, air to air intercooler and D.E.F. (diesel exhaust fluid) exhaust treatment **Serial No.** 00000288866 **Crankshaft** lengthwise **Rated engine speed** 2100 **Bore and stroke** 5.315" x 5.906" (135.0 mm x 150.0 mm) **Compression ratio** 15.5 to 1 **Displacement** 786 cu in (12880 ml) **Starting system** 24 volt **Lubrication** pressure **Air cleaner** two paper elements and aspirator **Oil filter** one full flow cartridge **Oil cooler** engine coolant heat exchanger for crankcase oil, separate radiators for hydraulic and transmission oil **Fuel filter** two paper elements **Fuel cooler** radiator for pump return fuel **Exhaust** DOC (diesel oxidation catalyst) and SCR (selective catalyst reduction) within a vertical muffler **Cooling medium temperature control** thermostat and variable speed fan

ENGINE OPERATING PARAMETERS: Fuel rate: 170.2 - 180.6 lb/h (77.2 - 81.9 kg/h) **High idle:** 2175 - 2225 rpm **Turbo boost:** nominal 25.4 - 28.3 psi (175 - 195 kPa) as measured 26.8 psi (185 kPa)

CHASSIS: Type 4WD with rubber tracks **Serial No.** *ZHF311627* **Track width** rear 88.0" (2235 mm) front 88.0" (2235 mm) **Trackbase** 154.0" (3912 mm) **Length of track on ground** 29.4"(748 mm) **Hydraulic control system** direct engine drive **Transmission** selective gear fixed ratio with full range operator controlled powershift **Nominal travel speeds mph (km/h)** first 2.77 (4.45) second 3.33 (5.36) third 4.03 (6.48) fourth 4.85 (7.80) fifth 5.57 (8.96) sixth 6.11 (9.84) seventh 6.70 (10.79) eighth 7.37 (11.86) ninth 8.10 (13.03) tenth 8.90 (14.32) eleventh 9.76 (15.70) twelfth 10.72 (17.25) thirteenth 12.31 (19.81) fourteenth 14.83 (23.86) fifteenth 17.90 (28.81) sixteenth 21.01 (33.81) reverse 4.21 (6.77), 9.30 (14.97)

**DRAWBAR PERFORMANCE AT 2100 ENGINE RPM
MAXIMUM POWER IN SELECTED GEARS**

Power Hp (kW)	Drawbar pull lbs (kN)	Speed mph (km/h)	Crank-shaft speed rpm	Slip %	Fuel Consumption lb/hp.hr (kg/kW.h)	Hp.hr/gal (kW.h/l)	D.E.F. Consumption lb/hp.hr (kg/kW.h)	Temp. °F (°C) cooling med	Air dry bulb	Barom. inch Hg (kPa)
1st Gear										
352.02 (262.50)	51858 (230.67)	2.55 (4.10)	2109	9.0	0.478 (0.291)	14.62 (2.88)	0.048 (0.029)	189 (87)	43 (6)	28.91 (97.90)
2nd Gear										
385.97 (287.81)	45762 (203.56)	3.17 (5.09)	2100	5.7	0.455 (0.277)	15.37 (3.03)	0.049 (0.030)	193 (89)	44 (7)	28.91 (97.90)
3rd Gear										
396.54 (295.70)	38112 (169.53)	3.90 (6.28)	2100	3.7	0.442 (0.269)	15.81 (3.11)	0.048 (0.029)	199 (93)	45 (7)	28.92 (97.93)
4th Gear										
398.56 (297.21)	31444 (139.87)	4.76 (7.65)	2099	2.6	0.441 (0.268)	15.86 (3.12)	0.047 (0.028)	204 (95)	60 (16)	28.74 (97.33)
5th Gear										
399.13 (297.63)	27223 (121.09)	5.50 (8.85)	2100	1.9	0.440 (0.267)	15.91 (3.13)	0.046 (0.028)	204 (95)	61 (16)	28.74 (97.33)
6th Gear										
399.10 (297.61)	24693 (109.84)	6.06 (9.75)	2100	1.5	0.438 (0.267)	15.96 (3.14)	0.046 (0.028)	209 (94)	62 (17)	28.76 (97.39)
7th Gear										
395.65 (295.04)	22265 (99.04)	6.66 (10.72)	2101	1.3	0.443 (0.269)	15.80 (3.11)	0.046 (0.028)	204 (96)	61 (16)	28.77 (97.43)
8th Gear										
394.69 (294.32)	20188 (89.80)	7.33 (11.80)	2100	1.2	0.443 (0.270)	15.78 (3.11)	0.047 (0.029)	202 (94)	62 (17)	28.78 (97.46)
9th Gear										
392.73 (292.86)	18246 (81.16)	8.07 (12.99)	2100	1.0	0.446 (0.271)	15.69 (3.09)	0.047 (0.029)	204 (95)	63 (17)	28.79 (97.49)

Clutch multiple wet disc electro-hydraulically operated by foot pedal **Brakes** single wet disc hydraulically actuated by foot pedal **Steering** hydrostatic and articulated **Power take-off** 1000 rpm at 1811 engine rpm **Unladen tractor mass** 57470 lb (26068 kg)

REPAIRS AND ADJUSTMENTS: No repairs or adjustments.

NOTE: This tractor has a driveline protection system that limits the maximum engine torque in gears 1 through 4.

REMARKS: All test results were determined from observed data obtained in accordance with official OECD, SAE and Nebraska test procedures. The performance figures on this Summary were taken from a test conducted under the OECD Code 2 test procedure.

We, the undersigned, certify that this is a true and correct report of official Tractor Test No. **2187**, Nebraska Summary 1118, December 11, 2017.

Roger M. Hoy
Director

M.F. Kocher
J.D. Luck
S.K. Pitla
Board of Tractor Test Engineers

TRACTOR SOUND LEVEL WITH CAB	dB(A)
At no load in 4th gear	74.0
Bystander in 15th Gear	89.6

Horizontal distances of drawbar hitch point behind rear wheel axis - 49.2" (1250 mm), 55.1" (1400 mm)

TRACKS AND WEIGHT

Rear tracks - no & size
Front tracks - no & size
Height of drawbar
Static weight with operator- Rear
- Front
- Total

Tested Without Ballast

2 x 30.0 in (762 mm)
2 x 30.0 in (762 mm)
20.5 in (520 mm)
23155 lb (10503 kg)
34490 lb (15644 kg)
57645 lb (26147 kg)

**DRAWBAR PERFORMANCE AT 1900 ENGINE RPM
MAXIMUM POWER IN SELECTED GEARS**

Power Hp (kW)	Drawbar pull lbs (kN)	Speed mph (km/h)	Crank- shaft speed rpm	Slip %	Fuel Consumption lb/hp.hr (kg/kW.h)	Hp.hr/gal (kW.h/l)	D.E.F. Consumption lb/hp.hr (kg/kW.h)	Temp.°F (°C) cool- ing med	Air dry bulb	Barom. inch Hg (kPa)
1st Gear										
336.29 (250.77)	52113 (231.81)	2.42 (3.89)	2020	9.7	0.469 (0.286)	14.90 (2.93)	0.051 (0.031)	188 (86)	44 (6)	28.91 (97.90)
2nd Gear										
393.27 (293.26)	51874 (230.74)	2.85 (4.58)	1942	8.4	0.447 (0.272)	15.65 (3.08)	0.052 (0.032)	193 (89)	45 (7)	28.92 (97.93)
3rd Gear										
435.40 (324.68)	47416 (210.91)	3.45 (5.54)	1900	6.1	0.430 (0.262)	16.25 (3.20)	0.048 (0.029)	202 (94)	46 (8)	28.93 (97.97)
4th Gear										
443.75 (330.90)	39271 (174.68)	4.24 (6.82)	1899	4.0	0.422 (0.257)	16.58 (3.27)	0.046 (0.028)	205 (96)	60 (16)	28.74 (97.33)
5th Gear										
449.09 (334.89)	34221 (152.22)	4.92 (7.92)	1900	2.9	0.417 (0.254)	16.78 (3.30)	0.046 (0.028)	205 (96)	61 (16)	28.74 (97.33)
6th Gear										
450.16 (335.68)	31049 (138.11)	5.44 (8.75)	1900	2.4	0.416 (0.253)	16.80 (3.31)	0.045 (0.027)	204 (95)	62 (17)	28.76 (97.39)
7th Gear										
449.75 (335.37)	28177 (125.34)	5.99 (9.63)	1900	2.0	0.415 (0.253)	16.85 (3.32)	0.045 (0.027)	205 (96)	61 (16)	28.77 (97.43)
8th Gear										
449.37 (335.09)	25548 (113.64)	6.60 (10.62)	1900	1.7	0.417 (0.254)	16.77 (3.30)	0.046 (0.028)	205 (96)	62 (17)	28.78 (97.46)
9th Gear										
448.28 (334.28)	23120 (102.84)	7.27 (11.70)	1900	1.4	0.417 (0.254)	16.76 (3.30)	0.046 (0.028)	206 (96)	62 (17)	28.78 (97.46)
10th Gear										
446.56 (333.00)	20918 (93.05)	8.01 (12.88)	1900	1.2	0.418 (0.254)	16.72 (3.29)	0.046 (0.028)	205 (96)	62 (17)	28.78 (97.46)

HYDRAULIC PERFORMANCE

CATEGORY: IVN

Quick Attach: yes

OECD Static test

Maximum force exerted through whole range:	19728 lbs (87.8 kN)	
	Three outlet sets combined	
	<u>Standard pump</u>	<u>High flow pump</u>
i) Sustained pressure of the open relief valve:	2877 psi (198 bar)	3060 psi (211 bar)
ii) Pump delivery rate at minimum pressure and rated engine speed:	43.8 GPM (165.8 l/min)	60.4 GPM (228.5 l/min)
iii) Pump delivery rate at maximum hydraulic power:	43.3 GPM (163.7 l/min)	59.0 GPM (223.5 l/min)
Delivery pressure:	2526 psi (174 bar)	2682 psi (185 bar)
Power:	63.7 HP (47.5 kW)	92.4 Hp (68.9 kW)

	Single outlet set	
ii) Pump delivery rate at minimum pressure and rated engine speed:	42.8 GPM (162.2 l/min)	52.2 GPM (197.7 l/min)
iii) Pump delivery rate at maximum hydraulic power:	42.7 GPM (161.6 l/min)	48.7 GPM (184.3 l/min)
Delivery pressure:	2024 psi (139 bar)	2162 psi (149 bar)
Power:	50.4 HP (37.6 kW)	61.4 Hp (34.9 kW)

TwinFlow system

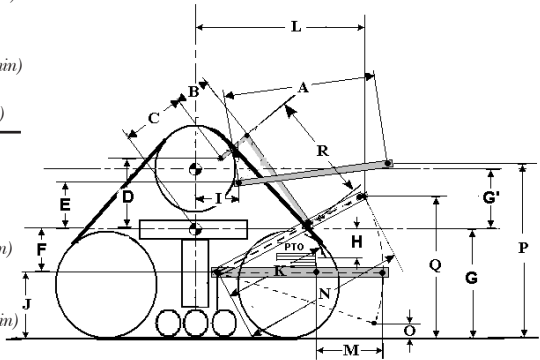
	Two outlet sets combined	
	<u>Standard pump</u>	<u>TwinFlow pump</u>
i) Sustained pressure at compensator cutoff:	2877 psi (198 bar)	2855 psi (197 bar)
ii) Pump delivery rate at minimum pressure and rated engine speed:	43.8 GPM (165.8 l/min)	57.3 GPM (217.0 l/min)
Combined flow:	101.1 GPM (382.8 l/min)	
iii) Pump delivery rate at maximum hydraulic power:	43.3 GPM (163.7 l/min)	56.4 GPM (213.6 l/min)
Delivery pressure:	2526 psi (174 bar)	2479 psi (171 bar)
Power:	63.7 HP (47.5 kW)	81.6 Hp (60.9 kW)

	Two outlet sets combined	
	<u>High flow pump</u>	<u>TwinFlow pump</u>
i) Sustained pressure at compensator cutoff:	2993 psi (206 bar)	2855 psi (197 bar)
ii) Pump delivery rate at minimum pressure and rated engine speed:	61.0 GPM (230.9 l/min)	57.3 GPM (217.0 l/min)
Combined flow:	118.3 GPM (447.9 l/min)	
iii) Pump delivery rate at maximum hydraulic power:	56.7 GPM (214.7 l/min)	56.4 GPM (213.6 l/min)
Delivery pressure:	2517 psi (174 bar)	2479 psi (171 bar)
Power:	83.3 HP (62.1 kW)	81.6 Hp (60.9 kW)

HITCH DIMENSIONS AS TESTED - NO LOAD

	inch	mm
A	32.6	827
B	29.9	760
C	23.2	590
D	22.0	558
E	13.5	342
F	13.4	340
G	35.0	890
*G'	11.8	300
H	4.6	117
I	22.8	578
J	21.6	550
K	29.0	736
L	56.3	1431
*L'	63.6	1615
M	34.3	871
N	46.5	1181
O	7.9	200
P	45.4	1154
Q	40.9	1039
R	38.5	978

*G' to undercarriage pivot point
*L' to Quick coupler ends



NTTL.(2017). Nebraska OECD tractor test 2187 for Case IH Steiger 500 Quadtrac Diesel. Lincoln, NE:Nebraska Tractor Test Laboratory. Retrieved from <http://tractortestlab.unl.edu>



Case IH Steiger 500 Quadtrac Diesel