

# NEBRASKA OECD TRACTOR TEST 2158A—SUMMARY 1039A

## NEW HOLLAND TS6.130 DIESEL

### 16 SPEED

#### POWER TAKE-OFF PERFORMANCE

Power HP (kW)	Crank shaft speed rpm	Diesel Consumption		D.E.F. Consumption		Mean Atmospheric Conditions
		Gal/hr (l/h)	lb/hp.hr (kg/kW.h)	Hp.hr/gal (kW.h/l)	Gal/hr (l/h)	
<b>MAXIMUM POWER AND FUEL CONSUMPTION</b>						
<b>Rated Engine Speed—(PTO speed—630 rpm)</b>						
115.68 (86.26)	2202	6.90 (26.11)	0.418 (0.254)	16.77 (3.30)	0.47 (1.76)	
<b>Maximum Power (1 hour)</b>						
117.69 (87.76)	2051	6.73 (25.47)	0.401 (0.244)	17.49 (3.45)	0.41 (1.54)	
<b>Standard Power Take-off Speed (540 rpm)</b>						
115.25 (85.94)	1890	6.36 (24.07)	0.387 (0.235)	18.13 (3.57)	0.39 (1.47)	

#### VARYING POWER AND FUEL CONSUMPTION

115.68 (86.26)	2202	6.90 (26.11)	0.418 (0.254)	16.77 (3.30)	0.47 (1.76)	Air temperature
99.91 (74.50)	2239	6.21 (23.49)	0.435 (0.265)	16.10 (3.17)	0.38 (1.45)	76°F (24°C)
76.07 (56.72)	2270	5.18 (19.63)	0.478 (0.291)	14.67 (2.89)	0.30 (1.14)	Relative humidity
51.36 (38.30)	2301	4.12 (15.58)	0.562 (0.342)	12.48 (2.46)	0.21 (0.79)	53%
25.94 (19.34)	2329	2.94 (11.13)	0.795 (0.483)	8.82 (1.74)	0.09 (0.34)	Barometer
1.06 (0.79)	2353	2.16 (8.18)	14.326 (8.714)	0.49 (0.10)	0.10 (0.37)	28.95" Hg (98.05 kPa)

Maximum torque - 396 lb.-ft. (537 Nm) at 1302 rpm

Maximum torque rise - 43.5%

Torque rise at 1761 engine rpm - 24%

Power increase at 2051 engine rpm - 1.7%

#### DRAWBAR PERFORMANCE

##### UNBALLASTED - FRONT DRIVE ENGAGED FUEL CONSUMPTION CHARACTERISTICS

Power Hp (kW)	Drawbar pull lbs (kN)	Speed mph (km/h)	Crank- shaft speed rpm	Slip %	Fuel Consumption lb/hp.hr (kg/kW.h)	D.E.F. Consumption lb/hp.hr (kg/kW.h)	Temp. °F(°C) cool- ing med	Air dry bulb	Barom. inch Hg (kPa)	
<b>Power at Rated Engine Speed—9th (H1T) Gear</b>										
94.17 (70.22)	7269 (32.33)	4.86 (7.82)	2200	11.0	0.511 (0.311)	13.73 (2.70)	0.041 (0.025)	183 (84)	82 (28)	28.62 (96.92)
<b>75% of Pull at Rated Engine Speed—9th (H1T) Gear</b>										
76.24 (56.85)	5483 (24.39)	5.21 (8.38)	2253	6.7	0.528 (0.321)	13.28 (2.62)	0.039 (0.024)	183 (84)	87 (31)	28.62 (96.92)
<b>50% of Pull at Rated Engine Speed—9th (H1T) Gear</b>										
53.41 (39.82)	3681 (16.37)	5.44 (8.75)	2288	4.1	0.598 (0.364)	11.72 (2.31)	0.043 (0.026)	184 (84)	88 (31)	28.64 (96.99)
<b>75% of Pull at Reduced Engine Speed—11th (H2T) Gear</b>										
76.14 (56.78)	5477 (24.36)	5.22 (8.39)	1461	6.6	0.441 (0.268)	15.90 (3.13)	0.041 (0.025)	182 (83)	90 (32)	28.63 (96.95)
<b>50% of Pull at Reduced Engine Speed—11th (H2T) Gear</b>										
53.20 (39.67)	3713 (16.52)	5.37 (8.64)	1465	4.1	0.460 (0.280)	15.23 (3.00)	0.045 (0.028)	181 (83)	89 (32)	28.61 (96.88)

**Location of tests:** Nebraska Tractor Test Laboratory, University of Nebraska, Lincoln Nebraska 68583-0832

**Dates of tests:** September 2 to October 3, 2016

**Manufacturer:** CNH De Mexico, Queretaro Mexico

**CONSUMABLE Fluids, OIL and TIME: Fuel** No. 2 Diesel **Specific gravity converted to 60°/60°F (15°/15°C)** 0.8418 **Fuel weight** 7.009 lbs/gal (0.840 kg/l) **Diesel Exhaust Fluid (DEF)** 32% aqueous urea solution **DEF weight** 9.071 lbs/gal (1.087 kg/l) **Oil SAE 10W30 API service classification CJ-4 Transmission, hydraulic and front axle lubricant** New Holland Ambra Multi G134 fluid **Total time engine was operated** 19.5 hours

**ENGINE: Make F.P.T NEF Diesel Type** Four cylinder vertical with turbocharger, air to air intercooler and D.E.F. (diesel exhaust fluid) exhaust treatment. **Serial No.** 001387401 **Crankshaft** lengthwise **Rated engine speed** 2200 **Bore and stroke** 4.094" x 5.197" (104.0 mm x 132.0 mm) **Compression ratio** 17.0 to 1 **Displacement** 274 cu in (4485 ml) **Starting system** 12 volt **Lubrication pressure** **Air cleaner** two paper elements **Oil filter** one full flow cartridge **Oil cooler** engine coolant heat exchanger for crankcase oil, radiator for hydraulic and transmission oil **Fuel filter** one paper element **Exhaust DOC** (diesel oxidation catalyst) and SCR (selective catalyst reduction) integrated within a vertical muffler **Cooling medium temperature control** one thermostat

**ENGINE OPERATING PARAMETERS: Fuel rate:** 45.0 - 48.7 lb/h (20.4 - 22.1 kg/h) **High idle:** 2325 - 2375 rpm **Turbo boost:** nominal 18.5- 19.5 psi (128 - 135 kPa) as measured 19.2 psi (132 kPa)

**CHASSIS: Type** front wheel assist **Serial No.** CT00676M **Tread width** rear 64.0" (1625 mm) to 78.0" (1981 mm) front 64.0" (1625 mm) to 86.0" (2184 mm) **Wheelbase** 103.5" (2630 mm) **Hydraulic control system** direct engine drive **Transmission** selective gear fixed ratio with partial (2) range operator controlled powershift **Nominal travel speeds mph (km/h)** first 1.45 (2.33) second 1.77 (2.85) third 2.22 (3.58) fourth 2.73 (4.39) fifth 3.02 (4.86) sixth 3.70 (5.96) seventh 4.19 (6.75) eighth 5.15 (8.28) ninth 5.33 (8.58) tenth 6.54 (10.52) eleventh 8.21 (13.22) twelfth 10.01 (16.20) thirteenth 11.15 (17.94) fourteenth 13.66 (21.99) fifteenth 15.49 (24.92) sixteenth 18.98 (30.54) reverse 1.83 (2.95), 2.82 (4.54), 3.83 (6.16), 5.32 (8.56), 6.76 (10.88), 10.41 (16.75), 14.13 (22.74), 19.62 (31.58) **Clutch** single dry disc operated by foot pedal **Brakes** single wet disc operated by two foot pedals which can be locked together **Steering** hydrostatic **Power take-off** 540 rpm at 1890 engine rpm or 1000 rpm at 2049 engine rpm **Unladen tractor mass** 10665 lb (4838 kg)

**DRAWBAR PERFORMANCE**  
**UNBALLASTED - FRONT DRIVE ENGAGED**  
**MAXIMUM POWER IN SELECTED GEARS**

Power Hp (kW)	Drawbar pull lbs (kN)	Speed mph (km/h)	Crank- shaft speed rpm	Slip %	Fuel Consumption lb/hp.hr (kg/kW.h)	Hp.hr/gal (kW.h/l)	D.E.F Consumption lb/hp.hr (kg/kW.h)	Temp. °F(°C) cool- ing med	Air dry bulb	Barom. inch Hg (kPa)
7th (L4T) Gear										
86.43 (64.45)	8790 (39.10)	3.69 (5.94)	2221	14.9	0.537 (0.327)	13.05 (2.57)	0.038 (0.023)	183 (84)	79 (26)	28.67 (97.09)
8th (L4R) Gear										
94.30 (70.32)	7599 (33.80)	4.66 (7.49)	2200	11.6	0.509 (0.310)	13.77 (2.71)	0.045 (0.027)	184 (84)	80 (27)	28.61 (96.88)
9th (H1T) Gear										
94.17 (70.22)	7269 (32.33)	4.86 (7.82)	2200	11.0	0.511 (0.311)	13.73 (2.70)	0.041 (0.025)	183 (84)	82 (28)	28.62 (96.92)
10th(H1R) Gear										
99.09 (73.89)	6049 (26.91)	6.15 (9.89)	2200	8.3	0.485 (0.295)	14.45 (2.85)	0.039 (0.024)	184 (84)	84 (29)	28.61 (96.88)
11th (H2T) Gear										
98.08 (73.14)	4611 (20.51)	7.98 (12.84)	2201	5.1	0.486 (0.296)	14.41 (2.84)	0.040 (0.024)	184 (84)	74 (24)	28.69 (97.16)
12th (H2R) Gear										
99.82 (74.43)	3788 (16.85)	9.88 (15.90)	2199	4.2	0.479 (0.292)	14.63 (2.88)	0.036 (0.022)	184 (84)	74 (24)	28.68 (97.12)

**UNBALLASTED - FRONT DRIVE ENGAGED-2050 ENGINE RPM**

Power Hp (kW)	Drawbar pull lbs (kN)	Speed mph (km/h)	Crank- shaft speed rpm	Slip %	Fuel Consumption lb/hp.hr (kg/kW.h)	Hp.hr/gal (kW.h/l)	D.E.F Consumption lb/hp.hr (kg/kW.h)	Temp. °F(°C) cool- ing med	Air dry bulb	Barom. inch Hg (kPa)
7th (L4T) Gear										
86.55 (64.54)	8796 (39.13)	3.69 (5.94)	2222	14.9	0.538 (0.327)	13.02 (2.57)	0.034 (0.021)	183 (84)	79 (26)	28.68 (97.12)
8th (L4R) Gear										
94.73 (70.64)	7883 (35.06)	4.51 (7.26)	2153	12.5	0.507 (0.309)	13.81 (2.72)	0.040 (0.024)	183 (84)	81 (27)	28.62 (96.92)
9th (H1T) Gear										
94.73 (70.64)	7662 (34.08)	4.64 (7.47)	2127	12.1	0.507 (0.308)	13.83 (2.73)	0.041 (0.025)	183 (84)	83 (28)	28.61 (96.88)
10th(H1R) Gear										
99.36 (74.09)	6585 (29.29)	5.66 (9.11)	2050	9.2	0.474 (0.289)	14.78 (2.91)	0.038 (0.023)	183 (84)	84 (29)	28.60 (96.85)
11th (H2T) Gear										
100.21 (74.72)	5092 (22.65)	7.38 (11.88)	2050	5.8	0.469 (0.285)	14.96 (2.95)	0.037 (0.023)	183 (84)	74 (24)	28.68 (97.12)
12th(H2R) Gear										
99.37 (74.10)	4056 (18.04)	9.19 (14.79)	2051	4.3	0.472 (0.287)	14.84 (2.92)	0.038 (0.023)	183 (84)	74 (24)	28.68 (97.12)

TRACTOR SOUND LEVEL WITH CAB	Front Wheel Drive	
	Engaged dB(A)	Disengaged dB(A)
At no load in 8th (4LR) gear	81.4	81.1
Bystander in 16th (4HR) gear		86.6

**TIRES AND WEIGHT**

**Rear Tires** - No., size, ply & psi(kPa)  
**Front Tires** - No., size, ply & psi(kPa)  
**Height of Drawbar**  
**Static Weight with operator** - Rear  
- Front  
- Total

**Tested Without Ballast**

Two 18.4-38;8;16(110)  
Two 14.9-28;6;16(110)  
23.0 in (585 mm)  
6500 lb (2948 kg)  
4340 lb (1969 kg)  
10840 lb (4917 kg)

**REPAIRS AND ADJUSTMENTS:** The hydraulic pump was replaced before the hydraulic performance tests.

**NOTE:** The performance results on this report were obtained from tests carried out on the Case IH Farmall 130A Diesel.

**REMARKS:** All test results were determined from observed data obtained in accordance with official OECD, SAE and Nebraska test procedures. This tractor did not meet the manufacturer's implement flow claim of 13 GPM (49 l/min). The manufacturer's 3 point lift claims of 3735 lb (1693 kg), 5499 lbs (2499 kg) (with 1 external lift cylinder) and 7326 lb (3323 kg) (with 2 external lift cylinders) were not met when tested per OECD Code 2 standards. The performance figures on this summary were taken from a test conducted under the OECD Code 2 test procedure.

We, the undersigned, certify that this is a true and correct report of official Tractor Test No. **2158A**, Nebraska Summary 1039A, March 3, 2017.

Roger M. Hoy  
Director

M.F. Kocher  
P.J. Jasa  
J.D. Luck  
Board of Tractor Test Engineers

The 3 point lift performance figures listed below are from tests conducted on the New Holland TS6030 Diesel

**HYDRAULIC PERFORMANCE**

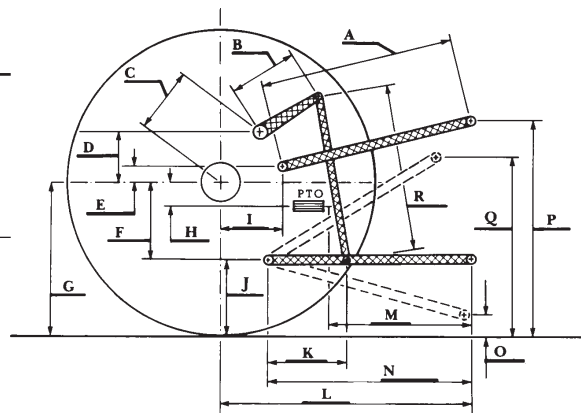
CATEGORY: II

Quick Attach: None

OECD Static test

Maximum force exerted through whole range:

3096 lbs (13.77 kN)  
 4608 lbs (20.50 kN)(1 external lift cylinder)  
 6174 lbs (27.46 kN)(2 external lift cylinders)



	Single pump system	Two pump system
<b>two outlet sets combined</b>		
i) Sustained pressure of the open relief valve:	2620 psi (181 bar)	2746 psi (189 bar)
ii) Pump delivery rate at minimum pressure and rated engine speed:	12.4 GPM (47.1 l/min)	22.4 GPM (84.8 l/min)
iii) Pump delivery rate at maximum hydraulic power:	10.2 GPM (38.6 l/min)	20.5 GPM (77.7 l/min)
Delivery pressure:	2268 psi (156 bar)	2131 psi (147 bar)
Power:	13.5 HP (10.1 kW)	25.5 HP (19.0 kW)
<b>single outlet set</b>		
i) Sustained pressure of the open relief valve:	2646 psi (182 bar)	2743 psi (189 bar)
ii) Pump delivery rate at minimum pressure and rated engine speed:	12.3 GPM (46.7 l/min)	21.7 GPM (82.3 l/min)
iii) Pump delivery rate at maximum hydraulic power:	10.0 GPM (37.9 l/min)	19.8 GPM (74.9 l/min)
Delivery pressure:	2223 psi (153 bar)	2042 psi (141 bar)
Power:	13.0 HP (9.7 kW)	23.6 HP (17.6 kW)

**HITCH DIMENSIONS AS TESTED—NO LOAD**

	SAE Test		OECD Test	
	inch	mm	inch	mm
A	27.7	705	28.5	724
B	9.8	250	9.8	250
C	14.1	357	14.1	357
D	13.5	342	13.5	342
E	8.1	205	8.1	205
F	9.0	229	9.0	229
G	30.3	770	30.3	770
H	0.4	10	0.4	10
I	12.7	323	12.7	323
J	21.3	541	21.3	541
K	18.1	460	18.1	460
L	40.8	1037	40.8	1037
M	22.9	581	22.9	581
N	36.6	930	36.6	930
O	8.0	203	8.0	203
P	40.3	1024	45.3	1151
Q	34.0	864	34.0	864
R	32.5	826	32.5	826

**THREE POINT HITCH PERFORMANCE(SAE Static test)**

Observed maximum pressure psi. (bar)	2480 (171)				
Location:	lift cylinder				
Hydraulic oil temperature: °F (°C)	145 (63)				
Location:	pump inlet				
Category:	II				
Quick attach:	none				
System pressure 2210 psi (152 Bar)					
Hitch point distance to ground level in. (mm)	8.0 (203)	15.0 (381)	22.0 (559)	29.0 (737)	36.0 (914)
Lift force on frame lb	4374	4244	4127	4257	3735
" " " " " (kN)	(19.5)	(18.9)	(18.4)	(18.9)	(16.6)
<b>One external lift cylinder</b>					
System pressure 2210 psi (152 Bar)					
Hitch point distance to ground level in. (mm)	8.0 (203)	15.0 (381)	22.0 (559)	29.0 (737)	36.0 (914)
Lift force on frame lb	6764	6444	6174	6300	5499
" " " " " (kN)	(30.1)	(28.7)	(27.5)	(28.0)	(24.5)
<b>Two external lift cylinders</b>					
System pressure 2210 psi (152 Bar)					
Hitch point distance to ground level in. (mm)	8.0 (203)	15.0 (381)	22.0 (559)	29.0 (737)	36.0 (914)
Lift force on frame lb	9270	8622	8199	8361	7326
" " " " " (kN)	(41.2)	(38.4)	(36.5)	(37.2)	(32.6)



**NEW HOLLAND TS6.130 DIESEL**

Institute of Agriculture and Natural Resources  
 University of Nebraska-Lincoln