

# NEBRASKA OECD TRACTOR TEST 2119–SUMMARY 979

## CASE IH MAGNUM 200 DIESEL

### 19 SPEED

#### CHASSIS SERIAL NUMBERS ZERH02500 AND HIGHER

#### POWER TAKE-OFF PERFORMANCE

Power HP (kW)	Crank shaft speed rpm	Diesel Consumption		D.E.F. Consumption		Mean Atmospheric Conditions
		Gal/hr (l/h)	lb/hp.hr (kg/kW.h)	Hp.hr/gal (kW.h/l)	Gal/hr (l/h)	
<b>MAXIMUM POWER AND FUEL CONSUMPTION</b>						
<b>Rated Engine Speed—(PTO speed—1110 rpm)</b>						
178.15 (132.84)	2101	9.71 (36.75)	0.382 (0.232)	18.35 (3.61)	0.66 (2.50)	
<b>Standard Power Take-off Speed (1000 rpm)</b>						
189.60 (141.38)	1893	9.79 (37.05)	0.362 (0.220)	19.37 (3.82)	0.70 (2.66)	
<b>Maximum Power (1 hour)</b>						
192.65 (143.66)	1751	9.69 (36.70)	0.353 (0.214)	19.87 (3.91)	0.73 (2.75)	

#### VARYING POWER AND FUEL CONSUMPTION

178.15 (132.84)	2101	9.71 (36.75)	0.382 (0.232)	18.35 (3.61)	0.66 (2.50)	Air temperature
156.82 (116.94)	2171	8.80 (33.30)	0.393 (0.239)	17.83 (3.51)	0.58 (2.19)	72°F (22°C)
118.32 (88.23)	2184	7.06 (26.73)	0.418 (0.254)	16.76 (3.30)	0.46 (1.76)	Relative humidity
79.29 (59.12)	2198	5.35 (20.26)	0.473 (0.288)	14.81 (2.92)	0.35 (1.31)	36%
40.02 (29.85)	2211	3.63 (13.75)	0.636 (0.387)	11.02 (2.17)	0.23 (0.87)	Barometer
1.80 (1.34)	2222	2.27 (8.59)	8.838 (5.376)	0.79 (0.16)	0.17 (0.65)	28.98" Hg (98.13 kPa)

Maximum torque - 641 lb.-ft. (870 Nm) at 1501 rpm  
 Maximum torque rise - 44.0%  
 Torque rise at 1680 engine rpm - 34%  
 Power increase at 1751 engine rpm - 8.1%

#### DRAWBAR PERFORMANCE UNBALLASTED - FRONT DRIVE ENGAGED FUEL CONSUMPTION CHARACTERISTICS

Power Hp (kW)	Drawbar pull lbs (kN)	Speed mph (km/h)	Crank- shaft speed rpm	Slip %	Fuel Consumption lb/hp.hr (kg/kW.h)	D.E.F. Consumption Hp.hr/gal (kW.h/l)	Temp. °F(°C) cool- ing dry med bulb	Barom. inch Hg (kPa)
<b>Maximum Power—9th Gear</b>								
155.25 (115.77)	11681 (51.96)	4.98 (8.01)	2100	3.8	0.436 (0.265)	16.05 (3.16)	0.035 (0.021)	186 (85)
<b>75% of Pull at Maximum Power—9th Gear</b>								
119.96 (89.45)	8788 (39.09)	5.12 (8.23)	2140	2.9	0.454 (0.276)	15.44 (3.04)	0.041 (0.025)	187 (86)
<b>50% of Pull at Maximum Power—9th Gear</b>								
81.74 (60.95)	5873 (26.12)	5.22 (8.40)	2160	1.9	0.517 (0.315)	13.54 (2.67)	0.041 (0.025)	186 (86)
<b>75% of Pull at Reduced Engine Speed—11th Gear</b>								
119.54 (89.14)	8807 (39.17)	5.09 (8.19)	1496	2.8	0.405 (0.246)	17.32 (3.41)	0.040 (0.024)	184 (84)
<b>50% of Pull at Reduced Engine Speed—11th Gear</b>								
81.37 (60.67)	5830 (25.93)	5.24 (8.42)	1523	1.7	0.444 (0.270)	15.77 (3.11)	0.041 (0.025)	184 (84)

**Location of tests:** Nebraska Tractor Test Laboratory, University of Nebraska, Lincoln, Nebraska 68583-0832

**Dates of tests:** May 20 to June 8, 2015

**Manufacturer:** CNH Industrial LLC, 700 State St. Racine, Wi. 53404 USA

**CONSUMABLE Fluids, OIL and TIME: Fuel** No. 2 Diesel **Specific gravity converted to 60°/60°F (15°/15°C)** 0.8415 **Fuel weight** 7.007 lbs/gal (0.840 kg/l) **Diesel Exhaust Fluid (DEF)** 32% aqueous urea solution **DEF weight** 9.071 lbs/gal (1.087 kg/l) **Oil** SAE 10W40 **API service classification** CJ-4 **Transmission and hydraulic lubricant** Case IH Akcela Hy-tran Ultra traction fluid **Front axle lubricant** SAE 85W-140 API GL-5 **Total time engine was operated:** 15.5 hours

**ENGINE: Make** F.P.T. Diesel **Type** six cylinder vertical with turbocharger, air to air intercooler and D.E.F. (diesel exhaust fluid) exhaust treatment **Serial No.** \*001311442\* **Crankshaft** lengthwise **Rated engine speed** 2100 **Bore and stroke** 4.094" x 5.197" (104.0 mm x 132.0 mm) **Compression ratio** 17.5 to 1 **Displacement** 410 cu in (6728 ml) **Starting system** 12 volt **Lubrication** pressure **Air cleaner** two paper elements and aspirator **Oil filter** one full flow cartridge **Oil cooler** engine coolant heat exchanger for crankcase oil, radiator for hydraulic and transmission oil **Fuel filter** two paper elements **Fuel cooler** radiator for pump return fuel **Exhaust** DOC (diesel oxidation catalyst) and SCR (selective catalyst reduction) integrated within a vertical muffler **Cooling medium temperature control** 2 thermostats and variable speed fan

**ENGINE OPERATING PARAMETERS: Fuel rate:** 64.8-68.8 lb/h (29.4-31.2 kg/h) **High idle:** 2175-2225 rpm, 2200-2250 rpm (PTO engaged) **Turbo boost:** nominal 19.6-22.5 psi (135-155 kPa) as measured 21.0 psi (145 kPa)

**CHASSIS: Type** front wheel assist **Serial No.** \*ZFRH01060\* **Tread width** rear 64.0" (1626 mm) to 129.0" (3277 mm) front 60.0" (1524 mm) to 88.0" (2235 mm) **Wheelbase** 118.3" (3005 mm) **Hydraulic control system** direct engine drive **Transmission** selective gear fixed ratio with full range operator controlled powershift **Nominal travel speeds mph (km/h)** first 1.23 (1.98) second 1.47 (2.36) third 1.76 (2.84) fourth 2.11 (3.39) fifth 2.51 (4.04) sixth 3.00 (4.82) seventh 3.57 (5.74) eighth 4.26 (6.86) ninth 5.12 (8.24) tenth 6.12 (9.85) eleventh 7.28 (11.72) twelfth 8.70 (14.00) thirteenth 10.30 (16.57) fourteenth 12.30 (19.80) fifteenth 14.79 (23.80) sixteenth 17.67 (28.44) seventeenth 21.04 (33.86) eighteenth 25.13 (40.44) nineteenth 26.10 (42.00) (electronically limited)

**DRAWBAR PERFORMANCE**  
**UNBALLASTED - FRONT DRIVE ENGAGED**  
**MAXIMUM POWER IN SELECTED GEARS**

Power Hp (kW)	Drawbar pull lbs (kN)	Speed mph (km/h)	Crank- shaft speed rpm	Slip %	Fuel Consumption lb/hp.hr (kg/kW.h)	D.E.F. Consumption lb/hp.hr (kg/kW.h)	Temp. °F(°C) cool- ing med	Air dry bulb	Barom. inch Hg (kPa)	
131.29 (97.90)	18674 (83.06)	2.64 (4.25)	2118	13.6	6th Gear 0.502 (0.305)	13.96 (2.75)	0.040 (0.024)	186 (86)	70 (21)	28.86 (97.73)
149.89 (111.77)	17224 (76.61)	3.27 (5.25)	2100	9.9	7th Gear 0.454 (0.276)	15.44 (3.04)	0.037 (0.023)	186 (86)	71 (22)	28.87 (97.77)
154.22 (115.00)	14281 (63.52)	4.05 (6.52)	2100	5.7	8th Gear 0.439 (0.267)	15.97 (3.15)	0.039 (0.024)	186 (86)	73 (23)	28.85 (97.70)
155.25 (115.77)	11681 (51.96)	4.98 (8.01)	2100	3.8	9th Gear 0.436 (0.265)	16.05 (3.16)	0.035 (0.021)	186 (85)	66 (19)	28.88 (97.80)
155.18 (115.72)	9700 (43.15)	6.00 (9.66)	2100	2.9	10th Gear 0.436 (0.265)	16.06 (3.16)	0.036 (0.022)	186 (86)	65 (19)	28.88 (97.80)
156.26 (116.52)	8172 (36.35)	7.17 (11.54)	2100	2.2	11th Gear 0.433 (0.263)	16.20 (3.19)	0.036 (0.022)	185 (85)	67 (19)	28.88 (97.80)
152.36 (113.61)	6639 (29.53)	8.61 (13.85)	2100	1.8	12th Gear 0.445 (0.271)	15.75 (3.10)	0.044 (0.023)	187 (86)	67 (20)	28.87 (97.77)

TRACTOR SOUND LEVEL WITH CAB	Front Wheel Drive	
	Engaged dB(A)	Disengaged dB(A)
At no load in 9th gear	64.5	64.6
Bystander in 18th gear		81.6

**TIRES AND WEIGHT**

**Rear Tires** - No., size, ply & psi(kPa)  
**Front Tires** - No., size, ply & psi(kPa)  
**Height of Drawbar**  
**Static Weight with operator** - Rear  
- Front  
- Total

**Tested Without Ballast**

Two 480/80R50;\*\*\*;18(125)  
Two 420/85R34;\*\*\*;18(125)  
21.0 in (535 mm)  
12140 lb (5507 kg)  
8740 lb (3964 kg)  
20880 lb (9471 kg)

reverse 2.72 (4.38), 3.25 (5.23), 3.91 (6.29), 4.47 (7.51), 5.55 (8.94), 6.64 (10.68) **Clutch** multiple wet disc electrohydraulically operated by foot pedal **Brakes** wet disc hydraulically operated by two foot pedals that can be locked together **Steering** hydrostatic **Power take-off** 540 rpm at 1950 engine rpm or 1000 rpm at 1892 engine rpm **Unladen tractor mass** 20705 lb (9392 kg)

**REPAIRS AND ADJUSTMENTS:** No repairs or adjustments.

**Note:** The performance figures on this report apply to tractors with chassis serial numbers ZERH02500 and higher.

**REMARKS:** All test results were determined from observed data obtained in accordance with official OECD, SAE and Nebraska test procedures. This tractor did not meet the manufacturer's claim of 41 gpm (156 l/min) main implement pump flow. The manufacturer's 3 point lift claim of 13600 lbs (6170 kg), without Quick Coupler, was not verified. The performance results on this summary were taken from a test conducted under the OECD Code 2 test procedure.

We, the undersigned, certify that this is a true and correct report of official Tractor Test No. **2119**, Nebraska Summary 979, December 20, 2015.

Roger M. Hoy  
Director

M.F. Kocher  
J.D. Luck  
P.J. Jasa  
Board of Tractor Test Engineers

**DRAWBAR PERFORMANCE AT 1750 ENGINE RPM**  
**UNBALLASTED - FRONT DRIVE ENGAGED**  
**MAXIMUM POWER IN SELECTED GEARS**

Power Hp (kW)	Drawbar pull lbs (kN)	Speed mph (km/h)	Crank- shaft speed rpm	Slip %	Fuel Consumption lb/hp.hr (kg/kW.h)	Consumption Hp.hr/gal (kW.h/l)	D.E.F. Consumption lb/hp.hr (kg/kW.h)	Temp. <sup>o</sup> F(°C) cool- ing dry bulb	Air dry bulb	Barom. inch Hg (kPa)
6th Gear										
132.17 (98.56)	18788 (83.57)	2.64 (4.25)	2115	13.5	0.499 (0.304)	14.04 (2.77)	0.041 (0.025)	186 (86)	70 (21)	28.87 (97.77)
7th Gear										
149.90 (111.78)	17221 (76.60)	3.27 (5.25)	2100	9.6	0.452 (0.275)	15.50 (3.05)	0.037 (0.023)	186 (86)	71 (22)	28.87 (97.77)
8th Gear										
158.88 (118.48)	16027 (71.29)	3.72 (5.99)	1972	7.8	0.435 (0.264)	16.12 (3.18)	0.039 (0.024)	187 (86)	73 (23)	28.85 (97.70)
9th Gear										
164.41 (122.60)	14757 (65.64)	4.18 (6.73)	1815	6.3	0.415 (0.252)	16.89 (3.33)	0.040 (0.024)	186 (86)	73 (23)	28.85 (97.70)
10th Gear										
167.19 (124.67)	12713 (56.55)	4.93 (7.93)	1750	4.3	0.405 (0.247)	17.28 (3.40)	0.039 (0.024)	185 (85)	69 (20)	28.87 (97.77)
11th Gear										
170.01 (126.78)	10760 (47.86)	5.93 (9.54)	1750	3.1	0.400 (0.243)	17.53 (3.45)	0.038 (0.023)	185 (85)	68 (20)	28.88 (97.80)
12th Gear										
166.74 (124.34)	8774 (39.03)	7.13 (11.47)	1750	2.4	0.403 (0.245)	17.37 (3.42)	0.039 (0.024)	185 (85)	68 (20)	28.87 (97.77)
13th Gear										
173.41 (129.31)	7682 (34.17)	8.47 (13.62)	1751	2.2	0.390 (0.237)	17.98 (3.54)	0.037 (0.023)	186 (85)	69 (21)	28.87 (97.77)

## HYDRAULIC PERFORMANCE

CATEGORY: III

Quick Attach: Yes

OECD Static test

Maximum force exerted through whole range: 14269 lbs (63.5 kN) (110 mm cylinders w/QA)

**two outlet sets combined**

i) Sustained pressure at compensator cutoff:

2852 psi (197 bar)

ii) Pump delivery rate at minimum pressure

and rated engine speed:

38.2 GPM (144.7 l/min)

at 2200 engine rpm:

40.1 GPM (151.8 l/min)

iii) Pump delivery rate at maximum

hydraulic power:

37.3 GPM (141.0 l/min)

Delivery pressure:

2530 psi (174 bar)

Power:

55.0 HP (41.0 kW)

**single outlet set**

i) Sustained pressure at compensator cutoff:

2836 psi (196 bar)

ii) Pump delivery rate at minimum pressure

and rated engine rpm:

37.9 GPM (143.5 l/min)

at 2200 engine rpm:

38.4 GPM (145.5 l/min)

iii) Pump delivery rate at maximum

hydraulic power:

34.9 GPM (132.1 l/min)

Delivery pressure:

2212 psi (153 bar)

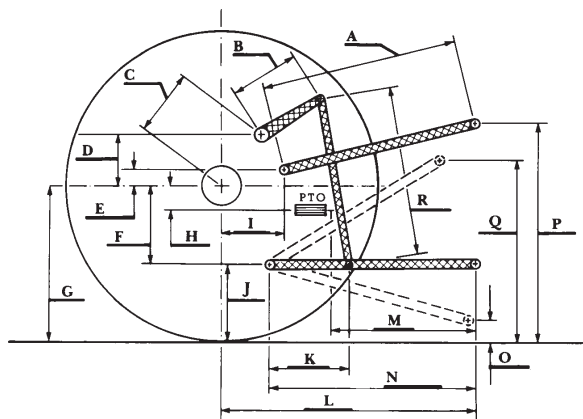
Power:

45.0 HP (33.6 kW)

## HITCH DIMENSIONS AS TESTED—NO LOAD

	inch	mm
A	26.8	680
B	17.9	454
C	15.1	383
D	14.6	372
E	10.9	277
F	10.6	270
G	36.4	925
H	2.8	71
I	19.7	500
J	25.8	655
K	26.9	682
L	48.1	1223
*L'	53.1	1349
M	22.4	570
N	38.3	974
O	9.1	230
P	52.6	1335
Q	37.7	957
R	37.7	957

\*L' to Quick Attach ends



**CASE IH MAGNUM 200 DIESEL**